

Datasheet - EX-AZM 170-02ZKA-24VAC/DC-3G/D

Solenoid interlock / EX-AZM 170



- Interlock with protection against incorrect locking.
- Long life
- High holding force
- Double-insulated
- 1 Cable entry M 20 x 1.5
- Ex-certified screwed cable gland
- Ex certified
- IDC method of termination
- Manual release

(Minor differences between the printed image and the original product may exist!)

Ordering details

Product type description	EX-AZM 170-02ZKA-24VAC/DC-3G/D
Article number	EX-AZM 170-02ZKA-24VAC/DC-3G/D
EAN Code	
eCl@ss	27-27-26-03

Approval


Approval	ATEX
----------	------

Classification

Standards	EN ISO 13849-1
B10d Normally-closed contact (NC)	2.000.000
Mission time notice	20 Years
	$MTTF_d = \frac{B_{10d}}{0,1 \times n_{op}}$ $n_{op} = \frac{d_{op} \times h_{op} \times 3600 \text{ s/h}}{t_{cycle}}$

Global Properties

Permanent light	EX-AZM 170
Standards	EN 60079-0, EN 60079-15, EN 60079-31, EN 60947-5-1, BG-GS-ET-19

Compliance with the Directives (Y/N) 

Yes

Duty cycle ED

Magnet 100 %

Materials

- Material of the housings

Plastic, glass-fibre reinforced thermoplastic, self-extinguishing

- Material of the contacts

Silver

Housing coating

None

Weight

Mechanical data

Design of electrical connection

IDC method of termination

Cable cross-section of the cable glands

- Min. Cable cross-section of the cable glands

Ø 6.5

- Max. Cable cross-section of the cable glands

Ø 12

Cable section

- Min. Cable section

1 x 0,75, flexible

- Max. Cable section

1 x 1, flexible

Mechanical life

> 1.000.000 operations

Emergency unlocking device (Y/N)

No

Manual release (Y/N)

Yes

- bottom

Emergency release (Y/N)

No

Latching force

5

Positive break force

17

positive break travel

11

Clamping force F

1000 N

Impact energy

1 J

Max. Actuating speed

1

Ambient conditions

Ambient temperature

- Min. environmental temperature

-15

- Max. environmental temperature

+45

Protection class

IP67 to IEC/EN 60529

Electrical data

Design of control element

Opener (NC)

Switching principle

Creep circuit element

Number of auxiliary contacts

0

Number of safety contacts

2

Power to unlock

No

Power to lock

Yes

Rated control voltage U_s

24 VAC/DC

Power consumption

max. 10 W

Rated impulse withstand voltage U_{imp}

4 kV

Rated insulation voltage U_i

250 V

Thermal test current I_{the}

2 A

Utilisation category

AC-15: 230 V / 2 A, DC-13: 24 V / 2 A

Max. fuse rating

6 A gG D-fuse

ATEX

EX-marking	EX II 3D Ex tc IIIC T80°C Dc X EX II 3G Ex nC IIB T5 Gc X
Explosion protection categories for gases	3G
Explosion protection Zones for gases	2
Explosion protected category for dusts	3D
Explosion protection Zones for dusts	22

Dimensions

Dimensions of the sensor	
- Width of sensor	90
- Height of sensor	84
- Length of sensor	30

notice

This type termination (IDC) method enables simple connection of flexible conductors without the need for the use of conductor ferrules

Individual coding available on request

Manual release

- For manual release using M5 triangular key, available as accessory

Included in delivery

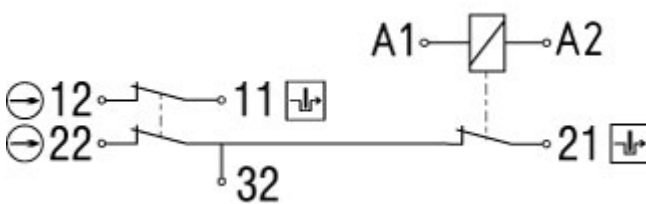
Actuators must be ordered separately.

Including Ex-certified screwed cable gland and screw plug

Keywords

Keywords	Ex, EEx, ATEX, Ex AZM170, Ex AZM170, AZM 170 Ex, AZM170ex, AZM170ex, ATEX AZM170
----------	--

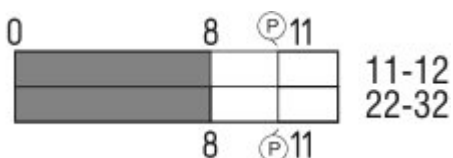
Diagram








Note Diagram

- positive break NC contact
- active
- no active
- Normally-open contact
- Normally-closed contact

Switch travel diagram



Notes Switch travel diagram

-  Contact closed
-  Contact open
-  Setting range
-  Break point
-  Positive opening sequence/- angle
- VS** adjustable range of NO contact
- VÖ** adjustable range of NC contact
- N** after travel

Ordering suffix

The applicable ordering suffix is added at the end of the part number of the safety switch.

Order example: EX-AZM 170-02ZKA-24VAC/DC-3G/D-**1637**

...-**1637** 0,3 µm gold-plated contacts

Ordering code

EX-AZM 170-(1)Z(2)K(3)-24VAC/DC-(4)-3G/D

(1)	
11	1 Normally open contact (NO) / 1 Opener (NC)
02	2 Opener (NC)
(2)	
<i>without</i>	Latching force 5 N
R	Latching force 30 N
(3)	
<i>without</i>	Power to unlock
A	Power to lock
(4)	
<i>without</i>	Manual release
1637	gold-plated contacts

Documents

Operating instructions and Declaration of conformity (pl) 502 kB, 12.04.2018

Code: mrl_ex-azm170_pl

Operating instructions and Declaration of conformity (en) 474 kB, 26.03.2018

Code: mrl_ex-azm170_en

Operating instructions and Declaration of conformity (es) 475 kB, 29.03.2018

Code: mrl_ex-azm170_es

Operating instructions and Declaration of conformity (cn) 525 kB, 27.07.2017

Code: mrl_ex-azm170_cn

Operating instructions and Declaration of conformity (jp) 752 kB, 18.08.2017

Code: mrl_ex-azm170_jp

Operating instructions and Declaration of conformity (fr) 473 kB, 29.03.2018

Code: mrl_ex-azm170_fr

Operating instructions and Declaration of conformity (da) 532 kB, 11.04.2018

Code: mrl_ex-azm170_da

Operating instructions and Declaration of conformity (de) 448 kB, 26.03.2018

Code: mrl_ex-azm170_de

Operating instructions and Declaration of conformity (pt) 477 kB, 29.03.2018

Code: mrl_ex-azm170_pt

Operating instructions and Declaration of conformity (it) 468 kB, 29.03.2018

Code: mrl_ex-azm170_it

Operating instructions and Declaration of conformity (nl) 472 kB, 29.03.2018

Code: mrl_ex-azm170_nl

Brochure (de) 7 MB, 19.10.2016

Code: b_atep01_de

Brochure (en) 7 MB, 19.10.2016

Code: b_atep01_en

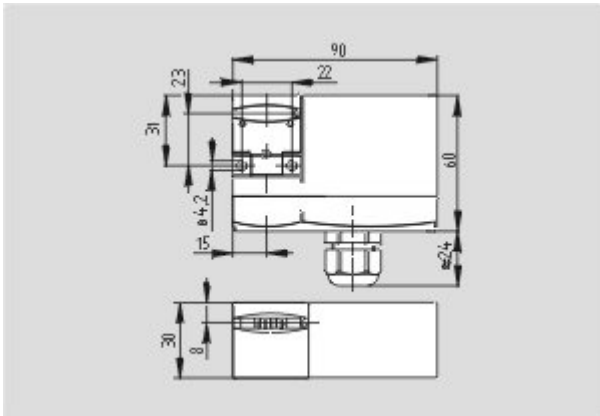
Brochure (it) 3 MB, 20.07.2007

Code: b_atep05

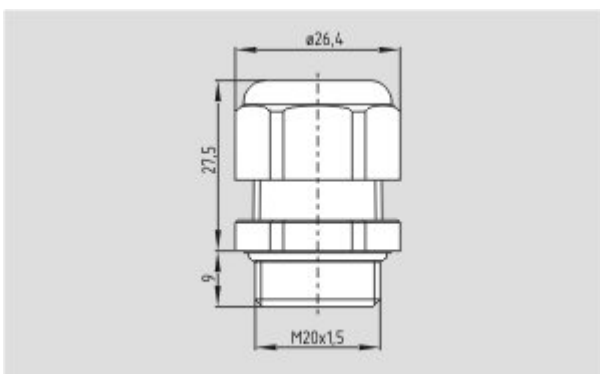
Brochure (es) 5 MB, 18.08.2009

Code: b_atep09

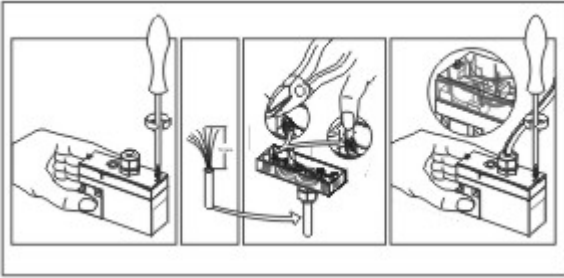
Images



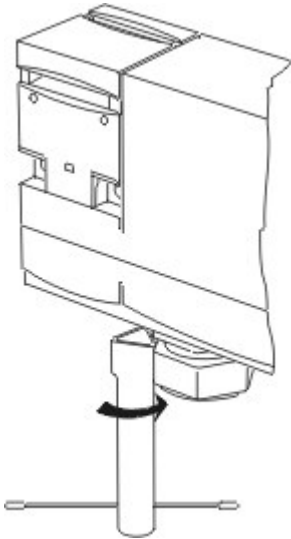
Dimensional drawing (basic component)



Dimensional drawing (miscellaneous)



Assembly example



Detail photo

System components

Actuator



101123391 - AZM 170-B6

- Particularly suitable for hinged guards
- For very small actuating radii
- The direction of actuation can be selected by applicable insertion of the insert



101122895 - AZ 17/170-B5

- Particularly suitable for sliding doors



101139789 - AZ 17/170-B15

- Particularly suitable for sliding doors

101139788 - AZ 17/170-B11



- Particularly suitable for sliding doors



101137406 - AZ 17/170-B1-2245

- Particularly suitable for sliding doors
- Damps vibration on guard device



101122893 - AZ 17/170-B1

- Particularly suitable for sliding doors

Accessories



101100887 - TRIANGULAR KEY TK-M5

- For manual release using M5 triangular key, available as accessory
- For maintenance, installation, etc.

K.A. Schmersal GmbH & Co. KG, Möddinghofe 30, D-42279 Wuppertal

The data and values have been checked thoroughly. Technical modifications and errors excepted.

Generiert am 13.02.2019 - 14:52:22h Kasbase 3.3.0.F.64l