

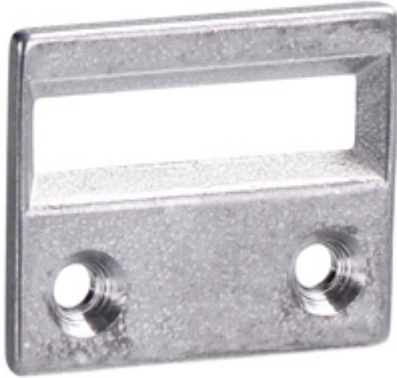
## Datasheet - AZM 170-B CENTERING GUIDE

Safety switch with separate actuator / AZ 17 / Accessories AZ 17



Preferred typ

• for AZ 17 and AZM 170



(Minor differences between the printed image and the original product may exist!)

### Ordering details

Product type description	AZM 170-B ZENTRIERHILFE
Article number	101208493
EAN Code	4030661380674
eCl@ss	27-27-29-91

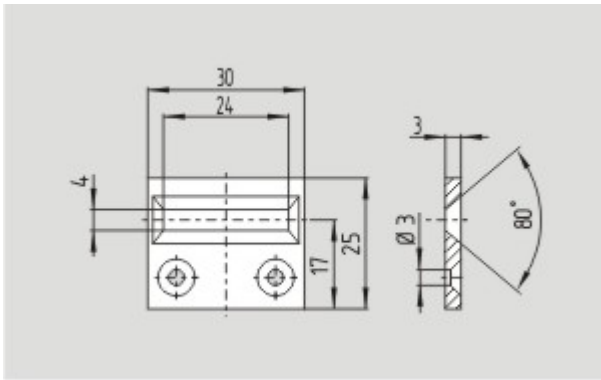
### Global Properties

Permanent light	ZENTRIERHILFE
Material	Stainless steel
Weight	5

### Dimensions

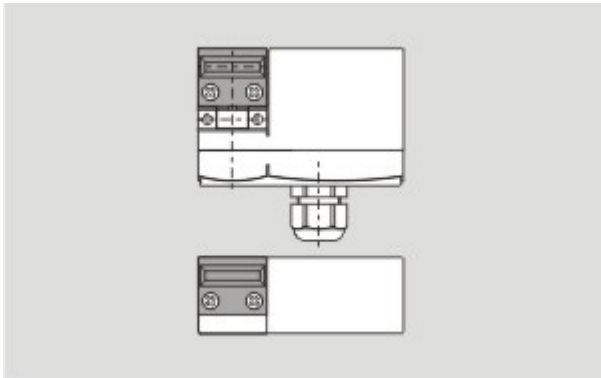
Dimensions	
- Width	30
- Height	25
- Depth	3

### Images



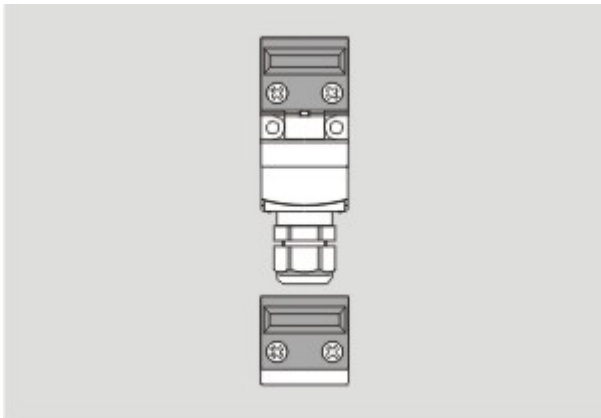
Dimensional drawing (actuator)

---



Application

---



Graphs (other)

---

K.A. Schmersal GmbH & Co. KG, Möddinghofe 30, D-42279 Wuppertal

The data and values have been checked thoroughly. Technical modifications and errors excepted.

Generiert am 13.02.2019 - 14:36:43h Kasbase 3.3.0.F.64I