

Datasheet - AZ/AZM201-B30-LTAG1P1

Solenoid interlock / AZM201 / Actuator / AZ/AZM201-B30



Preferred typ



(Minor differences between the printed image and the original product may exist!)

- Actuator for hinged guards
- Easy and intuitive operation
- No risk of injury from protruding actuator
- No supplementary door handles required
- Does not protrude into the door opening
- for left hinged doors
- with handle and Emergency exit handle

Ordering details

Product type description	AZ/AZM201-B30-LTAG1P1
Article number	103013498
EAN Code	4030661493466
eCl@ss	27-27-06-05

Approval

Approval



notice

Certification in combination with the AZ/AZM201

Global Properties

Permanent light	AZ/AZM201-B30
Materials	
- Material of the housings	Plastic, glass-fibre reinforced thermoplastic
- Material of the actuator	zinc die-cast
- Material of the operators	Aluminium, plastic coating
Emergency exit material	Metal film, plastic-coated
Weight	980 g

Mechanical data

Mechanical life	≥ 1.000.000 operations
Emergency unlocking device (Y/N)	Yes
Grip	handle / handle
integrated lockout tag available (Y/N)	No
Clamping force	2000
Actuator mounted	outside
Door hinge	left

Dimensions

Dimensions of the actuators

- Width of the actuator	115 mm
- Height of the actuator	115 mm
- Length of the actuator	60 mm

Emergency exit dimensions

- Width of the emergency exit	115 mm
- Height of the emergency exit	115 mm
- Length of the emergency exit	35 mm

Included in delivery

The safety switch / solenoid interlock and the actuator unit must be ordered separately.

Ordering code

AZ/AZM201-B30-(1)T(2)(3)(4)-(5)

(1)

L	Door hinge on left-hand side
R	Door hinge on right-hand side

(2)

A	for Mounting outside
I	for Mounting inside

(3)

G1	with handle
G2	with Rotating knob

(4)

P1	with Emergency exit
P20	with Emergency exit Metal film (<i>Only for Mounting outside possible</i>)
P25	with Emergency exit Inset handle (<i>Only for Mounting outside possible</i>)
P30/P31	with Locking rod (<i>Only for Mounting outside possible</i>)

(5)

without	without Lockout tag
SZ	with Lockout tag (<i>Only for Mounting outside possible</i>)

Documents

Operating instructions (nl) 1 MB, 24.09.2018

Code: mrl_az-azm201-b30_nl

Operating instructions (fr) 1 MB, 24.09.2018

Code: mrl_az-azm201-b30_fr

Operating instructions (it) 1 MB, 24.09.2018

Code: mrl_az-azm201-b30_it

Operating instructions (en) 975 kB, 24.09.2018

Code: mrl_az-azm201-b30_en

Operating instructions (es) 982 kB, 24.09.2018

Code: mrl_az-azm201-b30_es

Operating instructions (jp) 1 MB, 24.09.2018

Code: mrl_az-azm201-b30_jp

Operating instructions (pt) 1 MB, 24.09.2018

Code: mrl_az-azm201-b30_pt

Operating instructions (cn) 1 MB, 23.11.2018

Code: mrl_az-azm201-b30_cn

Operating instructions (de) 983 kB, 27.09.2018

Code: mrl_az-azm201-b30_de

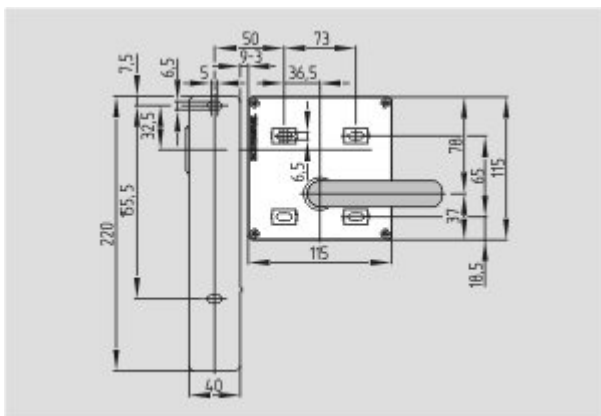
Operating instructions (pl) 1 MB, 24.09.2018

Code: mrl_az-azm201-b30_pl

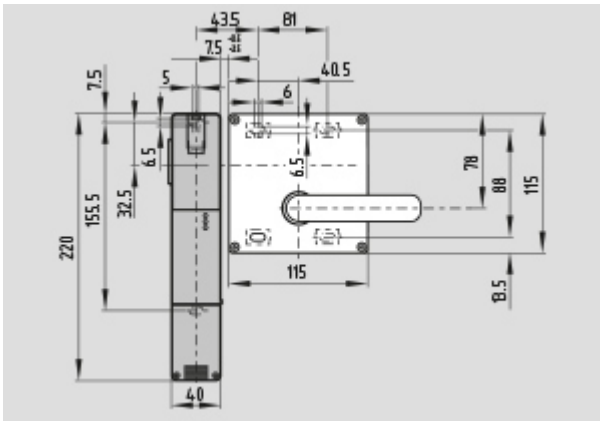
Images



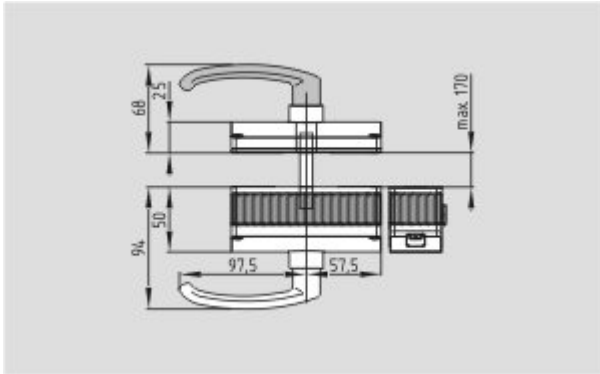
Product photo



Dimensional drawing (basic component)



Dimensional drawing (basic component)



Dimensional drawing (miscellaneous)

System components

Product



AZM201

- Thermoplastic enclosure
- RFID-technology for needs-based protection against tampering
- Max. length of the sensor chain 200 m
- Self-monitoring series-wiring of 31 sensors
- 3 LEDs to show operating conditions
- Sensor technology permits an offset between actuator and interlock of ± 5 mm vertically and ± 3 mm horizontally
- Suitable for hinged and sliding guards
- Intelligent diagnosis
- Manual release

K.A. Schmersal GmbH & Co. KG, Mödinghofe 30, D-42279 Wuppertal

The data and values have been checked thoroughly. Technical modifications and errors excepted.

Generiert am 13.02.2019 - 14:50:12h Kasbase 3.3.0.F.64I