

## Datasheet - M2S 461-22Y



Position switch / medium heavy Position switch / T/M 461 - (T 461 M 461) / 461 Telescopic plunger 2S



- Metal enclosure
- 118 mm x 155 mm x 64 mm ( basic component)
- With large after-travel
- Actuator head with captive stainless steel ball actuator
- 2 cable entries M 20 x 1.5

(Minor differences between the printed image and the original product may exist!)

### Ordering details


Product type description	M2S 461-22Y
Article number	101058605
EAN Code	4030661032962
eCl@ss	27-27-06-01

### Approval

Approval



### Global Properties

Permanent light	461 Teleskopdruckbolzen 2S
Standards	EN 60947-5-1
Compliance with the Directives (Y/N) 	Yes
Suitable for safety functions (Y/N)	No
Standard housing (Y/N)	No
Materials	
- Material of the housings	cast iron, galvanized
- Material of the contacts	Silver
Housing coating	painted

Weight	2020
Slide form	Sphere

## Mechanical data

---

Design of electrical connection	Screw connection
Cable section	
- Min. Cable section	1.5
- Max. Cable section	2.5
AWG-Number	13
Active principle	mechanical
Mechanical life	5.000.000 operations
notice	All indications about the cable section are including the conductor ferrules.
Design of actuating element	Plunger
Bounce duration	≤ 5
Switchover time	≤ 35
Contact opening	2 x 2.5
Actuating speed with vertical actuating angle to switch axis	
- Min. Actuating speed	1
- Max. Actuating speed	1
- Actuating angle	20

## Ambient conditions

---

Ambient temperature	
- Min. environmental temperature	-30
- Max. environmental temperature	+90
Protection class	IP65 to IEC/EN 60529

## Electrical data

---

Design of control element	Normally open contact (NO) Opener (NC)
- Change-over contact with double break	
Switching principle	Snap switch element
Number of shutters	2
Number of openers	2
Rated impulse withstand voltage	4
Rated insulation voltage	250
Thermal test current	16 A
Utilisation category	AC-15: 230 V / 4 A
Max. fuse rating	16 A gG D-fuse

## Dimensions

---

Dimensions of the sensor	
- Width of sensor	118
- Height of sensor	217
- Length of sensor	64
Slide diameter	10

## notice

---

notice	<b>Actuation from the side of the plunger should be avoided, since this reduces the mechanical life of the position switch.</b>
--------	---

## Ordering suffix

---

*The applicable ordering suffix is added at the end of the part number of the safety switch.*

Order example: M2S 461-22Y- **1276-2**

...- **1276-2**

gold-plated contacts

...- **Q**

Available with bellows to protect against heavy soiling

## Documents

---

**Operating instructions and Declaration of conformity (nl)** 95 kB, 20.07.2018

Code: mrlk\_posi-allgemein\_nl

**Operating instructions and Declaration of conformity (ru)** 133 kB, 09.07.2018

Code: mrlk\_posi-allgemein\_ru

**Operating instructions and Declaration of conformity (es)** 88 kB, 09.07.2018

Code: mrlk\_posi-allgemein\_es

**Operating instructions and Declaration of conformity (en)** 86 kB, 09.07.2018

Code: mrlk\_posi-allgemein\_en

**Operating instructions and Declaration of conformity (cn)** 138 kB, 09.07.2018

Code: mrlk\_posi-allgemein\_cn

**Operating instructions and Declaration of conformity (it)** 86 kB, 09.07.2018

Code: mrlk\_posi-allgemein\_it

**Operating instructions and Declaration of conformity (jp)** 285 kB, 09.07.2018

Code: mrlk\_posi-allgemein\_jp

**Operating instructions and Declaration of conformity (pl)** 118 kB, 09.07.2018

Code: mrlk\_posi-allgemein\_pl

**Operating instructions and Declaration of conformity (fr)** 85 kB, 09.07.2018

Code: mrlk\_posi-allgemein\_fr

**Operating instructions and Declaration of conformity (pt)** 86 kB, 09.07.2018

Code: mrlk\_posi-allgemein\_pt

**Operating instructions and Declaration of conformity (de)** 88 kB, 09.07.2018

Code: mrlk\_posi-allgemein\_de

**Declaration of conformity (de)** 94 kB, 08.08.2016

Code: \_\_422p01

**Declaration of conformity (pl)** 129 kB, 08.08.2016

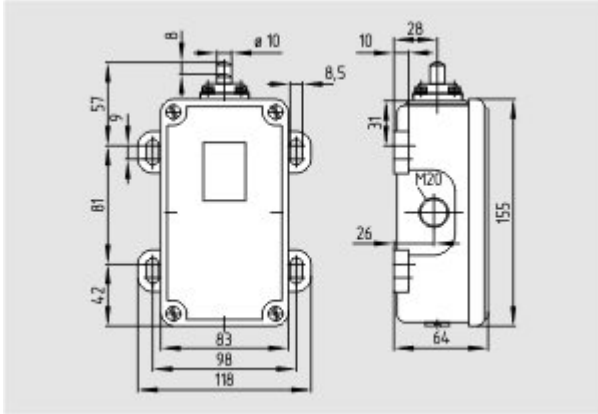
Code: \_\_422p01\_pl

**Declaration of conformity (en)** 84 kB, 29.11.2018

Code: \_\_422p01\_en

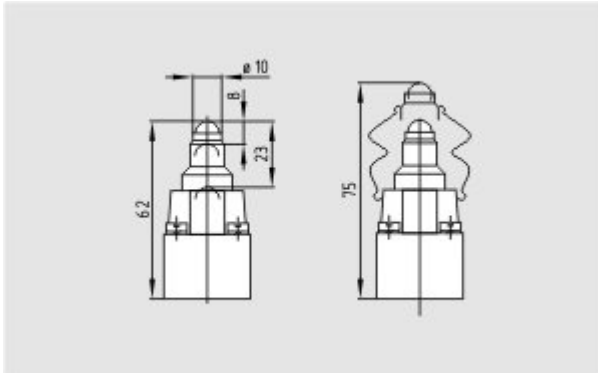
## Images

---



Dimensional drawing (basic component)

---



Dimensional drawing (miscellaneous)

---



Operating principle

---