

## Datasheet - CSS-Y-8P-VA

Accessories SD interface / SD junction boxes M12



- Accessories for series-wiring with serial diagnostics



(Minor differences between the printed image and the original product may exist!)

### Ordering details

Product type description	CSS-Y-8P-VA
Article number	103008717
EAN Code	
eCl@ss	27-27-24-91

### Global Properties

Permanent light	Y-Adapter
Connector	2 x female connector, 8-pole 1 x male connector, 8-pole
Design	Y-adapter
Weight	50
Recommended combinations	Solenoid interlock, Sensors
notice	Enables the series-wiring of sensors and solenoid interlocks with SD interface. To that effect, both the safety channels and the serial diagnostic lines are wired in series.

For the wiring, M12 cable extensions can be used. The voltage drop (due to the cable length, cable section, voltage drop per sensor) should be taken into account, as it reduces the maximum number of safety sensors and interlocks with SD interface that can be wired in series.

### Mechanical data

termination	M12
-------------	-----

**Ambient conditions**

Ambient temperature

- Min. environmental temperature	-25
- Max. environmental temperature	+75

**Electrical data**

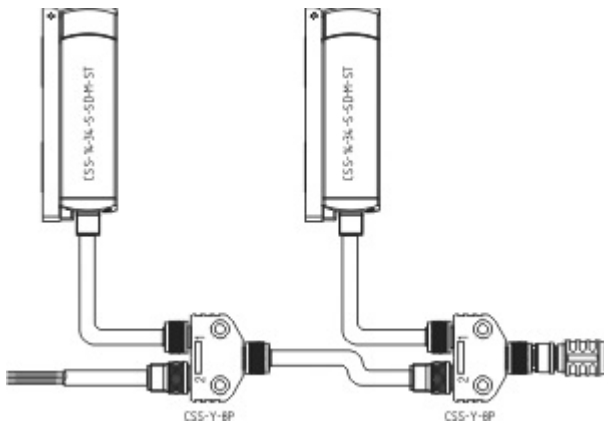
Rated operating voltage	30
Operating current	4 A
Fuse rating for the operating voltage	4 A

**Dimensions**

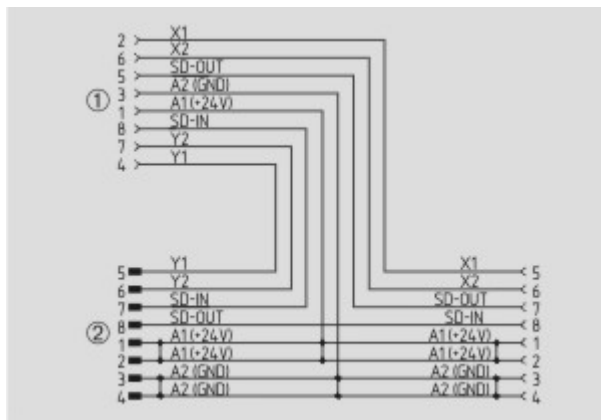
Dimensions

- Width	38
- Height	20
- Length	54.5

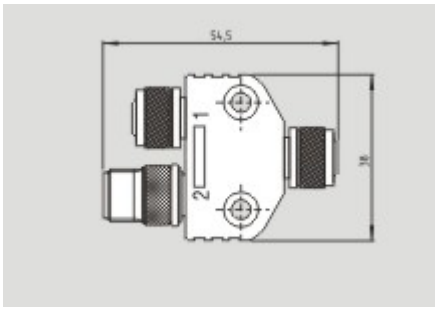
**Images**



Application



Wiring diagram



Product graph

---

K.A. Schmersal GmbH & Co. KG, Mödinghofe 30, D-42279 Wuppertal

The data and values have been checked thoroughly. Technical modifications and errors excepted.

Generiert am 13.02.2019 - 12:38:45h Kasbase 3.3.0.F.64I