

Datasheet - IFL 10-30L-10/01P

Inductive proximity switch / Housing construction form: cylinder, thread / IFL - M30



Preferred typ



- Design M30
- 1 Cable entry M 16 x 1.5
- Metal enclosure
- DC 3-wire
- Long design

(Minor differences between the printed image and the original product may exist!)

Ordering details

Product type description	IFL 10-30L-10/01P
Article number	101127017
EAN Code	4030661278230
eCl@ss	27-27-01-01

Approval

Approval



CCC

Global Properties

Permanent light	IFL - M30
Standards	IEC/EN 60947-5-2; DIN VDE 0660-208
Compliance with the Directives (Y/N) 	Yes
Operating resource protection class	None
Materials	
- Material of the housings	Brass
- Material of the nuts	Brass
- Material of the active surface	Plastic
Housing coating	nickel-plated
Housing construction form	cylinder, thread
Weight	140

Mechanical data

Design of electrical connection	Screw connection
Conductor with strain relief	No
Cable section	
- Min. Cable section	
- Max. Cable section	1 x 1.5
mechanical installation conditions	flush
Switch distance S_n	10 mm
Reduction factor 1 met (Y/N)	No
Protection circuit	inductive interference protection, Protection against polarity reversal
Pressure resistant (Y/N)	No
Tightening torque for nuts	A/F 36 max. 3000 Ncm
• Wiring compartment	

Ambient conditions

Ambient temperature	
- Min. environmental temperature	-25
- Max. environmental temperature	+70
Protection class	IP67 to IEC/EN 60529

Electrical data

Design of control element	Normally open contact (NO) or Opener (NC)
Number of wire	3
Voltage type	DC, direct current
Supply voltage U_B	
- Min. supply voltage	10
- Max. supply voltage	60
Switch frequency	approx. 200 HZ
Voltage drop U_d	approx. 1.5 V (400 mA)
Operating current I_e	400 mA
No-load current I_0	approx. 5.5 mA (24 V)

Outputs

Design of control output	PNP
--------------------------	-----

LED switching conditions display

LED switching conditions display (Y/N)	Yes
- yellow LED	

ATEX

Explosion protection categories for gases	None
Explosion protected category for dusts	None

Dimensions

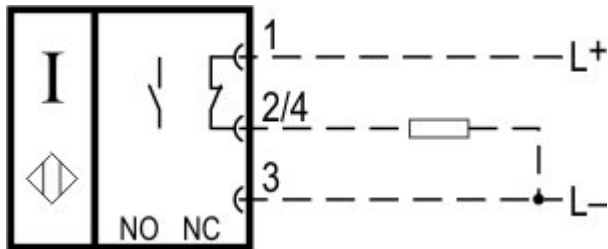
Dimensions of the sensor	
- Length of sensor	118

notice

Instead of nuts, a mounting clamp can be provided.

Programmable by repositioning the plug-in jumper at the terminal screws

Diagram



Note Diagram

- positive break NC contact
- active
- no active
- Normally-open contact
- Normally-closed contact

Ordering suffix

The applicable ordering suffix is added at the end of the part number of the safety switch.

Order example: IFL 10-30L-10/01P-1665-1

....1665-1

short-circuit and overload proof
 Operating current I_e : 300 mA
 Voltage drop U_d : approx. 1 V (300 mA)

Ordering code

IFL (1)-(2)(3)-(4)(5)(6)(7)-(8)

- (1)**
- 10** Switch distance 10 mm
- 15** Switch distance 15 mm
- (2)**
- 30** cylinder, thread M30, Metal film
- 300** cylinder, thread M30, Plastic
- (3)**
- without* Included in standard version Design
- M** miniature body
- L** Long design
- (4)**
- 01** Opener (NC)
- 10** Normally open contact (NO)
- 10/01** Normally open contact (NO) / Opener (NC) with Wiring compartment
- 11** Normally open contact (NO) / Opener (NC) antivalent
- (5)**

<i>without</i>	Cable
ST	Connector
T	Conductor with strain relief
D	DC 2-wire
(6)	
<i>without</i>	Included in standard version Plug-in connection
2	Alternative Plug-in connection
(7)	
N	n-type
P	p-type
(8)	
1310	Max. +110°C (<i>Only for Alternating current AC</i>)
2130	Max. +130°C, without LED switching conditions display
1766	Max. +110°C (<i>Only for p-type or n-type</i>)

Documents

Operating instructions (nl) 134 kB, 01.08.2018

Code: mrl_ifl-allgemein_nl

Operating instructions (en) 128 kB, 31.08.2016

Code: mrl_ifl-allgemein_en

Operating instructions (pl) 137 kB, 21.10.2016

Code: mrl_ifl-allgemein_pl

Operating instructions (pt) 109 kB, 06.04.2017

Code: mrl_ifl-allgemein_pt

Operating instructions (it) 108 kB, 21.10.2016

Code: mrl_ifl-allgemein_it

Operating instructions (es) 110 kB, 21.10.2016

Code: mrl_ifl-allgemein_es

Operating instructions (cn) 177 kB, 05.05.2017

Code: mrl_ifl-allgemein_cn

Operating instructions (de) 131 kB, 31.08.2016

Code: mrl_ifl-allgemein_de

Operating instructions (fr) 110 kB, 21.10.2016

Code: mrl_ifl-allgemein_fr

Declaration of conformity (en) 91 kB, 13.04.2017

Code: konfi_ifl_en

Declaration of conformity (de) 96 kB, 01.07.2016

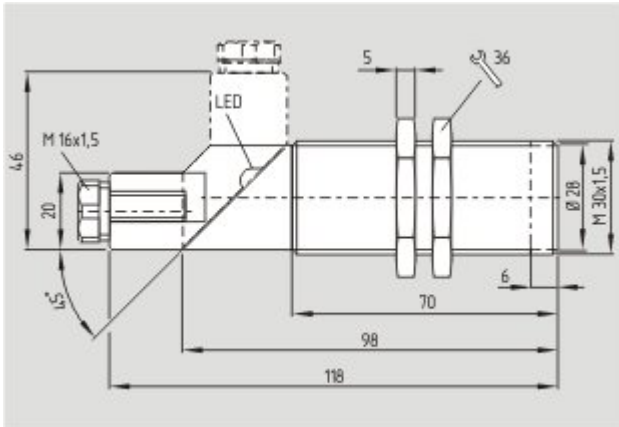
Code: konfi_ifl_de

CCC certification (cn) 3 MB, 11.07.2018

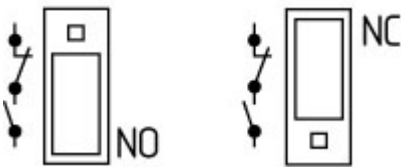
Code: q_iflp03

CCC certification (en) 3 MB, 11.07.2018

Images



Dimensional drawing (basic component)



Operating principle

System components

Mounting accessories



101068520 - MOUNTING CLAMP H 30

- For a smooth fitting of the proximity switches with cylindric shape Ø 30 mm or thread M30