

## Datasheet - AZ 15/16-B3-1747

Safety switch with separate actuator / AZ 15 / Actuator AZ 15



Preferred typ



For very small actuating radii at 90° to the plane of the actuator  
Suitable for retrofitting  
For play-free interlocking of light guards

(Minor differences between the printed image and the original product may exist!)

### Ordering details

Product type description	AZ 15/16-B3-1747
Article number	101096092
EAN Code	4030661104140
eCl@ss	27-27-92-16

### Global Properties

Permanent light	Beweglicher Betätiger AZ 15/16-B3-1747
Weight	25

### Mechanical data

Design of actuators	angled, flexible
Minimum actuating radius	32

### notice

Actuating radius adjustable, minimum 32 mm, using an hexagonal key wrench 2,5 mm (b) A/F  
The axis of the hinge should be 11 mm above the top edge of the safety switch and in the same plane

### Documents

**Operating instructions and Declaration of conformity (fi)** 101 kB, 02.07.2015

Code: mrl\_az15-16-betaetiger\_fi

**Operating instructions and Declaration of conformity (es)** 115 kB, 12.02.2014

Code: mrl\_az15-16-betaetiger\_es

**Operating instructions and Declaration of conformity (it)** 114 kB, 10.02.2014

Code: mrl\_az15-16-betaetiger\_it

**Operating instructions and Declaration of conformity (de)** 296 kB, 30.01.2014

Code: mrl\_az15-16-betaetiger\_de

**Operating instructions and Declaration of conformity (cn)** 137 kB, 30.06.2015

Code: mrl\_az15-16-betaetiger\_cn

**Operating instructions and Declaration of conformity (nl)** 114 kB, 11.03.2014

Code: mrl\_az15-16-betaetiger\_nl

**Operating instructions and Declaration of conformity (pt)** 115 kB, 23.05.2014

Code: mrl\_az15-16-betaetiger\_pt

**Operating instructions and Declaration of conformity (jp)** 165 kB, 11.08.2014

Code: mrl\_az15-16-betaetiger\_jp

**Operating instructions and Declaration of conformity (en)** 114 kB, 24.02.2014

Code: mrl\_az15-16-betaetiger\_en

**Operating instructions and Declaration of conformity (pl)** 155 kB, 11.03.2014

Code: mrl\_az15-16-betaetiger\_pl

**Operating instructions and Declaration of conformity (fr)** 114 kB, 14.04.2014

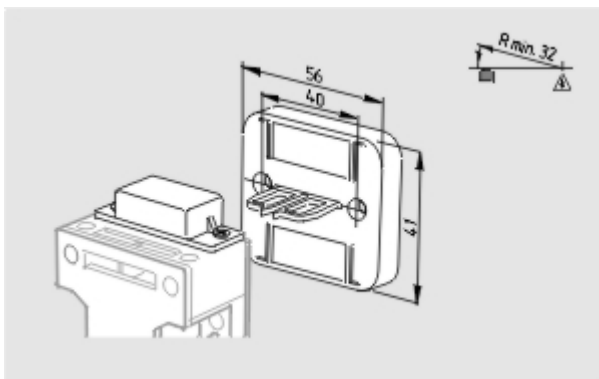
Code: mrl\_az15-16-betaetiger\_fr

**Operating instructions and Declaration of conformity (sv)** 113 kB, 17.06.2015

Code: mrl\_az15-16-betaetiger\_sv

## Images

---



Dimensional drawing (actuator)

---

K.A. Schmersal GmbH & Co. KG, Möddinghofe 30, D-42279 Wuppertal

The data and values have been checked thoroughly. Technical modifications and errors excepted.

Generiert am 13.02.2019 - 14:35:11h Kasbase 3.3.0.F.64I