

## Datasheet - AV 20LHX30U

Door locking devices / AV 20



(Minor differences between the printed image and the original product may exist!)

- left-hand model
- for 1-leaf doors
- Fail-safe locking system
- Thermoplastic enclosure
- authorised for use in passenger elevators
- Manual release by means of M5 triangular key

### Ordering details

Product type description	AV 20LHX30U
Article number	101133924
EAN Code	4030661053011
eCl@ss	27-27-26-03

### Approval

Approval



### Global Properties

Permanent light	AV 20
Standards	EN 81-20, EN 81-50
Compliance with the Directives (Y/N)	Yes
Suitable for safety functions (Y/N)	Yes
Mounting	rear-side mounting holes
Number of door leaves	1
Materials	
- Material of the housings	glass-fibre reinforced thermoplastic, self-extinguishing
- Material of the contacts	Silver
- Locking bolt material	Brass
Weight	725
Latching bolt bevelling	45 bottom

### Mechanical data

Cable entry	without cable gland
Design of actuating element	Offset roller lever H65
Orientation / Alignment	left-hand model
With fail-safe locking system (Y/N)	Yes
Manual release (Y/N)	Yes

Permanent magnet

Ceramic oxide magnet with high coercive field strength

## Ambient conditions

---

Ambient temperature

- Min. environmental temperature -15

- Max. environmental temperature +70


Protection class IP54

## Electrical data

---

Design of control element Opener (NC), Normally open contact (NO)

Switching principle Slow action

- positive break NC contact 

Number of auxiliary contacts 1

Number of safety contacts 1

Rated impulse withstand voltage 6

Rated insulation voltage 500

Thermal test current 10 A

Utilisation category AC-15: 230 V / 2 A,  
DC-13: 200 V / 2 A

Max. fuse rating 6 A (slow blow)

## Dimensions

---

Dimensions

- Width 165

- Height 80

- Depth 37

Dimensions of the latching bolt

- Diameter of the latching bolt 18

- X-dimension of the latching bolt 30

notice

### X-dimension of the latching bolt:

The overall latching bolt length is the result of the prescribed insertion depth of the latching bolt into the door leaf of 21 mm and the X-dimension. The X-dimension is the distance between the enclosure bottom of the door locking and the door top.

## Accessories

---

notice Manual release using triangular key M5 available as accessory

## Ordering suffix

---

The applicable ordering suffix is added at the end of the part number of the safety switch.

Order example: AV 20LHX30U-**GB215**

...-**GB215** additional front-side M8 mounting holes

## Ordering code

---

AV 20(1)(2)(3)(4)(5)(6)(7)

<b>(1)</b>		
<b>L</b>		left-hand model
<b>R</b>		right-hand model
<b>(2)</b>		
<i>without</i>		
<b>H</b>		Roller H65
<b>H92</b>		Roller H92
<b>H105</b>		Roller H105
<b>B</b>		Bearing block B
<b>B2</b>		Bearing block B2
<b>(3)</b>		
<i>without</i>		without cable gland
<b>E4</b>		cable gland M20
<b>E1</b>		Cable entry
<b>(4)</b>		
<b>X...</b>		= 11, 5, 20, 30, 40, 45 mm
<b>(5)</b>		
<b>U</b>		45° bottom
<b>D</b>		45° cover-side
<b>R</b>		45° right
<b>L</b>		45 ° left
<b>(6)</b>		
<b>2509</b>		using triangular key aus Metal film
<b>(7)</b>		
<i>without</i>		
<b>GB215</b>		

## Documents

---

**Operating instructions and Declaration of conformity (nl)** 435 kB, 26.06.2018

Code: mrl\_av15\_nl

**Operating instructions and Declaration of conformity (pt)** 419 kB, 08.03.2017

Code: mrl\_av15\_pt

**Operating instructions and Declaration of conformity (pl)** 433 kB, 17.02.2017

Code: mrl\_av15\_pl

**Operating instructions and Declaration of conformity (de)** 404 kB, 06.12.2016

Code: mrl\_av15\_de

**Operating instructions and Declaration of conformity (es)** 418 kB, 12.01.2017

Code: mrl\_av15\_es

**Operating instructions and Declaration of conformity (cn)** 501 kB, 11.05.2017

Code: mrl\_av15\_cn

**Operating instructions and Declaration of conformity (en)** 616 kB, 18.10.2016

Code: mrl\_av15\_en

**Operating instructions and Declaration of conformity (it)** 418 kB, 12.01.2017

Code: mrl\_av15\_it

**Operating instructions and Declaration of conformity (fr)** 422 kB, 12.01.2017

Code: mrl\_av15\_fr

**Operating instructions and Declaration of conformity (jp)** 506 kB, 22.08.2017

Code: mrl\_av15\_jp

**BG-test certificate (en)** 240 kB, 12.05.2016

Code: \_av20p02

**BG-test certificate (de)** 247 kB, 12.05.2016

Code: \_av20p01

**CCC certification (cn)** 2 MB, 11.12.2017

Code: q\_av2p02

**CCC certification (en)** 2 MB, 11.12.2017

Code: q\_av2p01

**EAC certification (ru)** 2 MB, 03.12.2018

Code: q\_0010p17\_ru

**notice (es)** 1 MB, 09.02.2012

Code: s\_aufp01\_es

**notice (en)** 487 kB, 09.02.2012

Code: s\_aufp01\_en

**notice (fr)** 1 MB, 09.02.2012

Code: s\_aufp01\_fr

**notice (it)** 1 MB, 09.02.2012

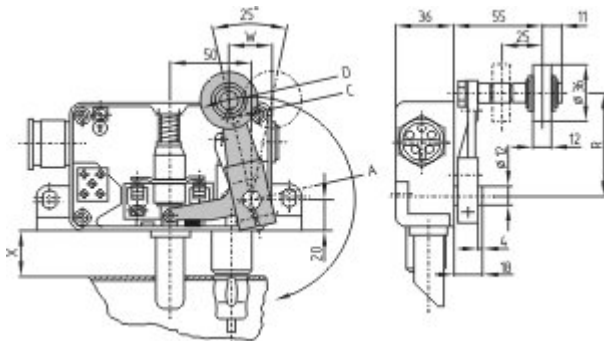
Code: s\_aufp01\_it

**notice (de)** 1 MB, 09.02.2012

Code: s\_aufp01\_de

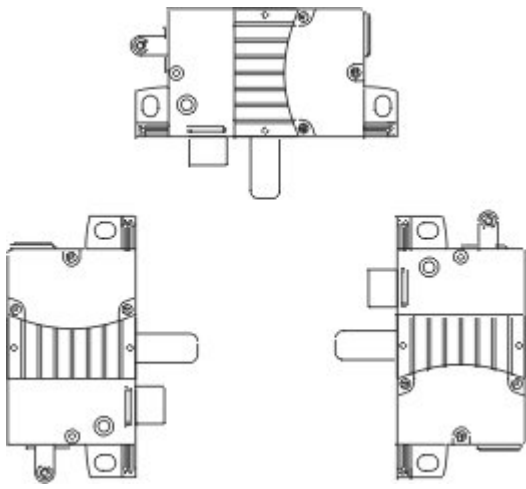
## Images

---

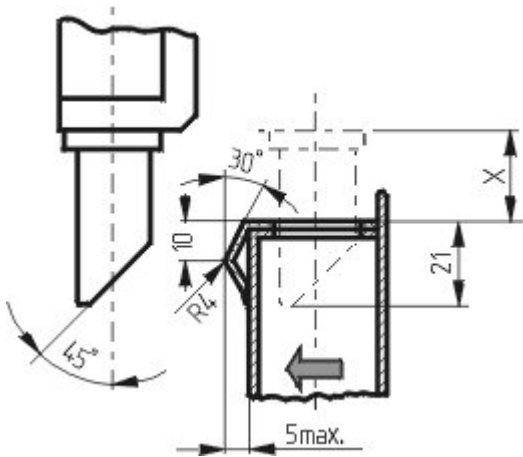


Dimensional drawing (basic component)

---



Assembly example



Assembly example