

Datasheet - CSS-Y-8P

Accessories SD interface / SD junction boxes M12



Preferred typ

• Accessories for series-wiring with serial diagnostics



(Minor differences between the printed image and the original product may exist!)

Ordering details

Product type description	CSS-Y-8P
Article number	101209416
EAN Code	4030661388809
eCl@ss	27-27-24-91

Global Properties

Permanent light	Y-Adapter
Connector	2 x female connector, 8-pole 1 x male connector, 8-pole
Design	Y-adapter
Weight	50
Recommended combinations	Solenoid interlock and Sensors
notice	Enables the series-wiring of sensors and solenoid interlocks with SD interface. To that effect, both the safety channels and the serial diagnostic lines are wired in series.
	For the wiring, M12 cable extensions can be used. The voltage drop (due to the cable length, cable section, voltage drop per sensor) should be taken into account, as it reduces the maximum number of safety sensors and interlocks with SD interface that can be wired in series.

Mechanical data

termination
Bolting device

M12
Screw locking

Ambient conditions

Ambient temperature

- Min. environmental temperature -25
- Max. environmental temperature +75

Electrical data

Rated operating voltage	30
Operating current	4 A
Fuse rating for the operating voltage	4 A

Dimensions

Dimensions

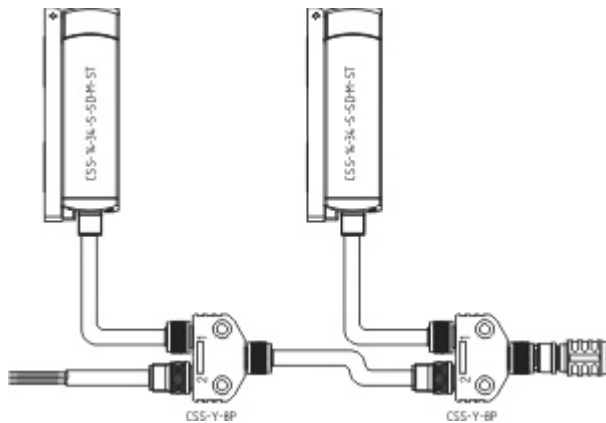
- Width 38
- Height 20
- Length 54.5

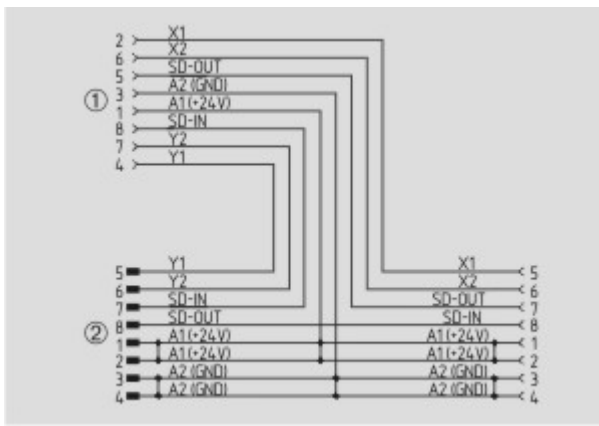
Documents

Mounting and wiring instructions (de, en) 182 kB, 19.01.2018

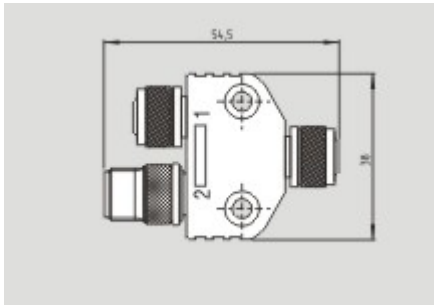
Code: m_cssp02_de-en

Images





Wiring diagram



Product graph

System components

Connector



V-SK8M12

- Interconnector
- 8-pole

K.A. Schmersal GmbH & Co. KG, Mödinghofe 30, D-42279 Wuppertal

The data and values have been checked thoroughly. Technical modifications and errors excepted.

Generiert am 13.02.2019 - 12:38:44h Kasbase 3.3.0.F.64I