

Datasheet - BOR

Key transfer system / SHGV - Guard locking device / Actuator



- Minimum actuating radius 350 mm
- Straight actuator

(Minor differences between the printed image and the original product may exist!)

Ordering details

Product type description	BOR
Article number	101014461
EAN Code	
eCl@ss	27-27-92-16

Global Properties

Permanent light	Radiusbetätiger BOR
Weight	40

Mechanical data

Design of actuators	straight
Minimum actuating radius	350

Documents

Operating instructions and Declaration of conformity (da) 120 kB, 05.09.2017

Code: mrl_bo-betaetiger_da

Operating instructions and Declaration of conformity (nl) 118 kB, 05.09.2017

Code: mrl_bo-betaetiger_nl

Operating instructions and Declaration of conformity (fr) 144 kB, 05.09.2017

Code: mrl_bo-betaetiger_fr

Operating instructions and Declaration of conformity (es) 145 kB, 05.09.2017

Code: mrl_bo-betaetiger_es

Operating instructions and Declaration of conformity (en) 138 kB, 05.09.2017

Code: mrl_bo-betaetiger_en

Operating instructions and Declaration of conformity (cs) 160 kB, 05.09.2017

Code: mrl_bo-betaetiger_cs

Operating instructions and Declaration of conformity (pt) 145 kB, 05.09.2017

Code: mrl_bo-betaetiger_pt

Operating instructions and Declaration of conformity (jp) 219 kB, 05.09.2017

Code: mrl_bo-betaetiger_jp

Operating instructions and Declaration of conformity (pl) 156 kB, 05.09.2017

Code: mrl_bo-betaetiger_pl

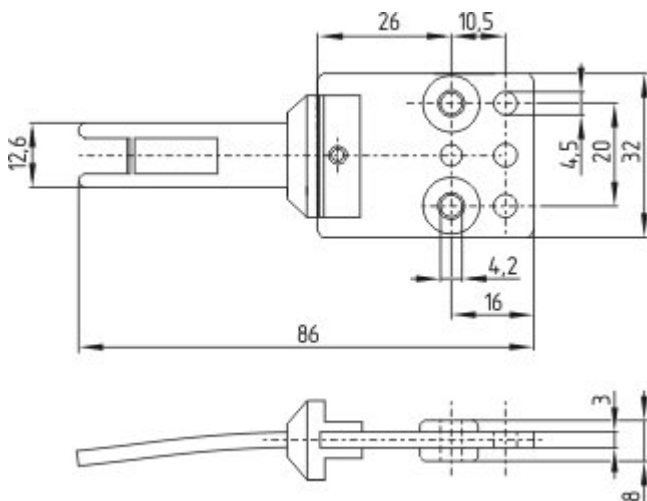
Operating instructions and Declaration of conformity (de) 119 kB, 05.09.2017

Code: mrl_bo-betaetiger_de

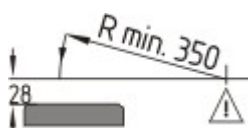
Operating instructions and Declaration of conformity (it) 140 kB, 05.09.2017

Code: mrl_bo-betaetiger_it

Images



Dimensional drawing (actuator)



Actuating radius
