

## Datasheet - ZF 232-22

Foot switch / F 232

Preferred typ



- 4 Contacts
- Metal enclosure
- single-pedal types
- High level of stability
- Cable entry M 20 x 1.5
- Low operating height of pedal
- Also available as safety foot switch

(Minor differences between the printed image and the original product may exist!)

### Ordering details


Product type description	ZF 232-22
Article number	101181539
EAN Code	4030661326276
eCl@ss	27-37-12-18

### Approval

Approval



### Global Properties

Permanent light	F 232
Standards	EN 60947-5-1, DIN VDE 0660-200, BG-GS-ET-15
Compliance with the Directives (Y/N) 	Yes
Suitable for safety functions (Y/N)	No
Materials	
- Material of the housings	Aluminium
- Material of the cover	Aluminium
- Material of the protective shield	Aluminium
- Material of the pedal	Plastic, glass-fibre reinforced thermoplastic
Housing coating	powder-coated
Colouring	
- Enclosure color	RAL 9006 (White aluminum)
Weight	1065
Suitable for EMERGENCY-OFF (Y/N)	No

Protection hood (Y/N) No

## Mechanical data

---

Design of electrical connection	Screw connection
Cable section	
- Min. Cable section	
- Max. Cable section	1 x 2.5
Mechanical life	> 1.000.000 operations
notice	All indications about the cable section are including the conductor ferrules.
Latching (Y/N)	No
Probing possible (Y/N)	Yes

## Ambient conditions

---

Ambient temperature	
- Min. environmental temperature	-25
- Max. environmental temperature	+70
Protection type IP	IP65 to IEC/EN 60529

## Electrical data

---

Design of control element	Normally open contact (NO), Opener (NC)
Switching principle	Snap action
Number of shutters	2
Number of openers	2
Rated impulse withstand voltage $U_{imp}$	6 kV
Rated insulation voltage $U_i$	500 V
Thermal test current $I_{the}$	10 A
Utilisation category	AC-15: 230 V / 4 A, DC-13: 24 V / 1 A
Max. fuse rating	6 A gG D-fuse

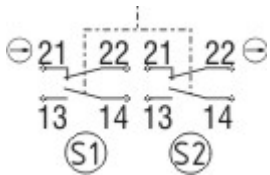
## Dimensions

---




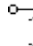
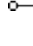
Dimensions	
- Width	170 mm
- Height	189 mm
- Depth	274 mm

## Diagram

---



Note Diagram

-  positive break NC contact
-  active
-  no active
-  Normally-open contact
-  Normally-closed contact

## Ordering code

---

### (1)F(2) 232-(3)-(4)

#### (1)

T	Slow action
Z	Snap action

#### (2)

<i>without</i>	without Protective shield
H	with Protective shield

#### (3)

11	1 Normally open contact (NO) / 1 Opener (NC)
02	2 Opener (NC)
20	2 Normally open contact (NO)
22	2 Normally open contact (NO) / 2 Opener (NC)
04	4 Opener (NC)
40	4 Normally open contact (NO)

#### (4)

HD	3-phase actuation with pressure point
F	with start/stop function

## Documents

---

**Operating instructions and Declaration of conformity (da)** 259 kB, 07.08.2012

Code: mrl\_f232\_da

**Operating instructions and Declaration of conformity (it)** 736 kB, 04.08.2010

Code: mrl\_f232\_it

**Operating instructions and Declaration of conformity (jp)** 925 kB, 16.12.2010

Code: mrl\_f232\_jp

**Operating instructions and Declaration of conformity (pl)** 278 kB, 01.08.2014

Code: mrl\_f232\_pl

**Operating instructions and Declaration of conformity (fr)** 734 kB, 04.08.2010

Code: mrl\_f232\_fr

**Operating instructions and Declaration of conformity (cs)** 260 kB, 12.03.2012

Code: mrl\_f232\_cs

**Operating instructions and Declaration of conformity (nl)** 740 kB, 04.08.2010

Code: mrl\_f232\_nl

**Operating instructions and Declaration of conformity (pt)** 273 kB, 05.01.2015

Code: mrl\_f232\_pt

**Operating instructions and Declaration of conformity (en)** 319 kB, 15.12.2016

Code: mrl\_f232\_en

**Operating instructions and Declaration of conformity (en)** 488 kB, 11.05.2010

Code: mrl\_f232\_en

**Operating instructions and Declaration of conformity (de)** 324 kB, 15.12.2016

Code: mrl\_f232\_de

**Operating instructions and Declaration of conformity (es)** 728 kB, 04.08.2010

Code: mrl\_f232\_es

**CCC certification (en)** 975 kB, 24.05.2016

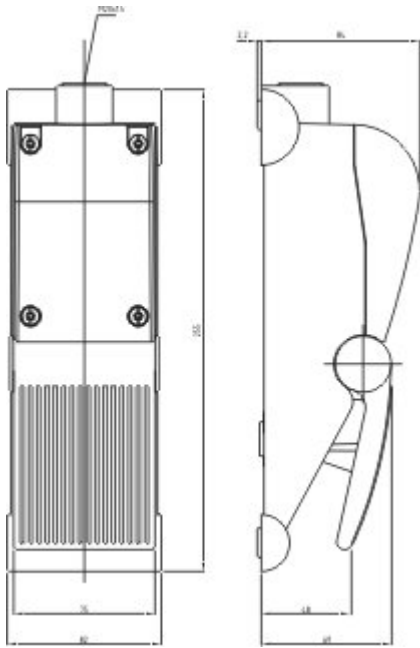
Code: q\_455p02

**CCC certification (cn)** 948 kB, 24.05.2016

Code: q\_455p03

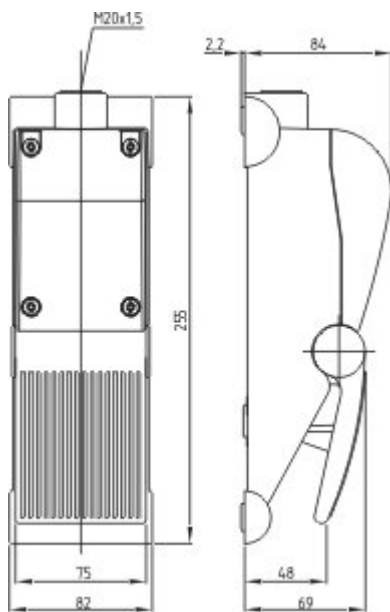
## Images

---



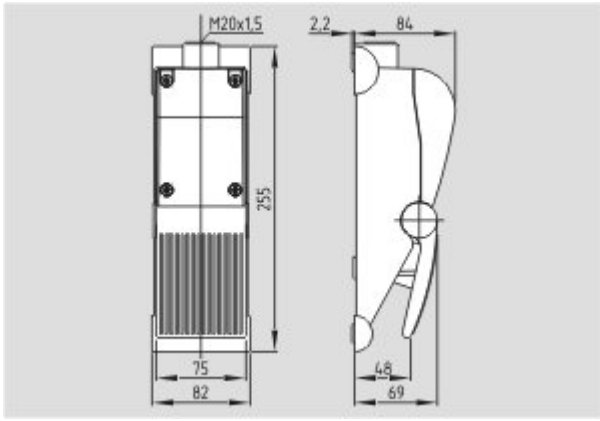
Dimensional drawing (basic component)

---



Dimensional drawing (basic component)

---



Dimensional drawing (basic component)

---

K.A. Schmersal GmbH & Co. KG, Mödinghofe 30, D-42279 Wuppertal

The data and values have been checked thoroughly. Technical modifications and errors excepted.

Generiert am 13.02.2019 - 13:02:01h Kasbase 3.3.0.F.64I