

## Datasheet - PS226-Z11-R200

Position switch / PS226 Thermoplastic enclosure - EN 50047 with Actuator / PS226 Roller plunger R200



- thermoplastic enclosure with foldable latching cover
- Quick connection technology as connection terminals rotated by 45°
- Simple and quick to adjust the control elements by 45°.
- cable entry 2 x M20 x 1,5
- Design to EN 50047

(Minor differences between the printed image and the original product may exist!)

### Ordering details

|                          |                |
|--------------------------|----------------|
| Product type description | PS226-Z11-R200 |
| Article number           | 103015051      |
| EAN Code                 | 4030661501246  |
| eCl@ss                   | 27-27-06-01    |

### Approval

Approval



### Classification

|                                   |  |
|-----------------------------------|--|
| Standards                         | ISO 13849-1  |
| B10d Normally-closed contact (NC) | 20.000.000   |
| Mission time                      | 20 Years   |
| notice                            | $MTTF_d = \frac{B_{10d}}{0,1 \times n_{op}}$ $n_{op} = \frac{d_{op} \times h_{op} \times 3600 \text{ s/h}}{t_{cycle}}$ |

## Global Properties

---

|                                      |                                 |
|--------------------------------------|---------------------------------|
| Permanent light                      | PS226 with Roller plunger R200  |
| Standards                            | IEC 60947-5-1                   |
| Compliance with the Directives (Y/N) | Yes                             |
| Suitable for safety functions (Y/N)  | Yes                             |
| Actuator type                        | C To EN 50047                   |
| Materials                            |                                 |
| - Material of the housings           | Plastic, glass-fiber-reinforced |
| - Material of the contacts           | Silver                          |
| Housing coating                      | None                            |
| Housing construction form            | Norm construction design        |
| Weight                               | 71 g                            |

## Mechanical data

---

|  |                       |
|--|-----------------------|
| Design of electrical connection        | Screw connection      |
| Cable section                          |                       |
| - Min. Cable section                   | 0,34 mm <sup>2</sup>  |
| - Max. Cable section                   | 1.5 mm <sup>2</sup>   |
| Mechanical life                        | 10.000.000 operations |
| Switching frequency                    | max. 5000 /h          |
| Design of actuating element            | Roller plunger R200   |
| Positive break force                   | > 40 N                |
| Actuating speed for vertical actuation |                       |
| - Min. Actuating speed                 | 10 mm/min             |
| - Max. Actuating speed                 | 0,5 m/s               |

## Ambient conditions

---

|                                  |            |
|----------------------------------|------------|
| Ambient temperature              |            |
| - Min. environmental temperature | -30 °C     |
| - Max. environmental temperature | +80 °C     |
| Protection class                 | IP66, IP67 |

## Electrical data

---

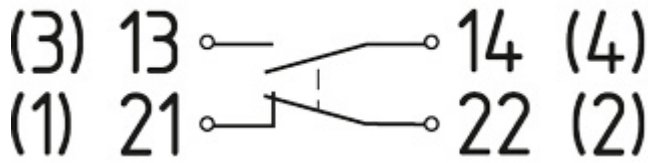
|  |   |
|--|---|
| Design of control element                        | 1 Normally open contact (NO), 1 Opener (NC) |
| Switching principle                              | Snap switch element                         |
| - positive break NC contact                      |   |
| Number of auxiliary contacts                     | 1 piece                                     |
| Number of safety contacts                        | 1 piece                                     |
| Rated impulse withstand voltage U <sub>imp</sub> | 4 kV  |
| Rated insulation voltage U <sub>i</sub>          | 300 V                                       |
| Thermal test current I <sub>the</sub>            | 10 A  |
| Utilisation category                             | AC-15: 240 V / 3 A, DC-13: 24 V / 3 A       |
| Required rated short-circuit current             | 400 A                                       |
| Max. fuse rating                                 | 6 A gG D-fuse                               |

## Dimensions

---

|                          |         |
|--------------------------|---------|
| Dimensions of the sensor |         |
| - Width of sensor        | 59 mm   |
| - Height of sensor       | 85.6 mm |

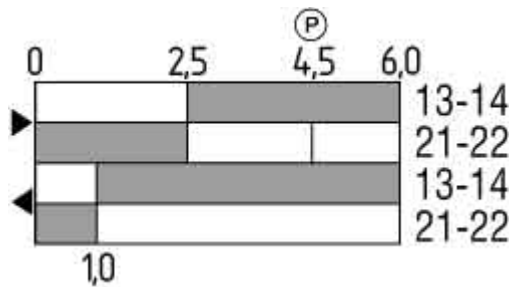
**Diagram**



Note Diagram

- positive break NC contact
- active
- no active
- Normally-open contact
- Normally-closed contact

**Switch travel diagram**



Notes Switch travel diagram

- Contact closed
- Contact open
- Setting range
- Break point
- Positive opening sequence/- angle
- VS** adjustable range of NO contact
- VÖ** adjustable range of NC contact
- N** after travel

**Ordering code**

PS2(1)(2)-(3)-(4)-(5)-(6)

|             |  |
|-------------|--|
| <b>(1)</b>  |  |
| 1           | slim design  |
| 2           | large design   |
| <b>(2)</b>  |  |
| 5           | Metal enclosure  |
| 6           | Thermoplastic enclosure                                  |
| <b>(3)</b>  |  |
| <b>T02</b>  | Slow action 2 Opener (NC)                                |
| <b>T02H</b> | Slow action with staggered contacts 2 Opener (NC)        |
| <b>T03</b>  | Slow action 3 Opener (NC)                                |
| <b>T10</b>  | Slow action 1 Normally open contact (NO)                 |
| <b>T11</b>  | Slow action 1 Normally open contact (NO) / 1 Opener (NC) |

|              |  |
|--------------|--|
| <b>T11UE</b> | Slow action with overlapping contacts 1 Normally open contact (NO) / 1 Opener (NC) |
| <b>T12</b>   | Slow action 1 Normally open contact (NO) / 2 Opener (NC)                           |
| <b>T20</b>   | Slow action 2 Normally open contact (NO)   |
| <b>T21</b>   | Slow action 2 Normally open contact (NO) / 1 Opener (NC)                           |
| <b>Z02</b>   | Snap action 2 Opener (NC)  |
| <b>Z11</b>   | Snap action 1 Normally open contact (NO) / 1 Opener (NC)                           |
| <b>Z11R</b>  | Snap action 1 Normally open contact (NO) / 1 Opener (NC) with Latching             |
| <b>Z12</b>   | Snap action 1 Normally open contact (NO) / 2 Opener (NC)                           |
| <b>(4)</b>   |  |
| <b>ST</b>    | connector plug M12, bottom   |
| <b>STR</b>   | connector plug M12, right  |
| <b>(5)</b>   |  |
| <b>S20</b>   | Plunger S200   |
| <b>R20</b>   | Roller plunger R200  |
| <b>K20</b>   | Offset roller lever K200   |
| <b>K21</b>   | Offset roller lever K210   |
| <b>K23</b>   | Angle roller lever K230  |
| <b>K24</b>   | Angle roller lever K240  |
| <b>K25</b>   | Angle roller lever K250  |
| <b>H20</b>   | Roller lever H200  |
| <b>N20</b>   | Roller lever N200  |
| <b>J20</b>   | Rod lever J200   |
| <b>(6)</b>   |  |
| <b>0</b>     | Material Castor/Roller: Plastic  |
| <b>1</b>     | Material Castor/Roller: Stainless steel  |
| <b>2</b>     | Material Castor/Roller: Brass  |
| <b>3</b>     | Material Castor/Roller: Aluminium  |
| <b>4</b>     | Material Castor/Roller: Steel  |

## Documents

---

**Declaration of conformity** (en) 88 kB, 22.11.2017

Code: konfi\_mrl\_ps116\_en

**Declaration of conformity** (de) 87 kB, 22.11.2017

Code: konfi\_mrl\_ps116\_de

**CCC certification** (cn) 3 MB, 29.08.2017

Code: q\_ps2p02

**CCC certification** (en) 3 MB, 29.08.2017

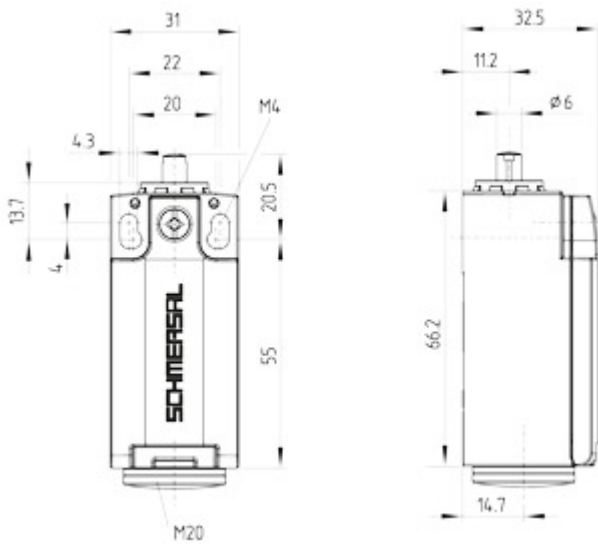
Code: q\_ps2p01

## Images

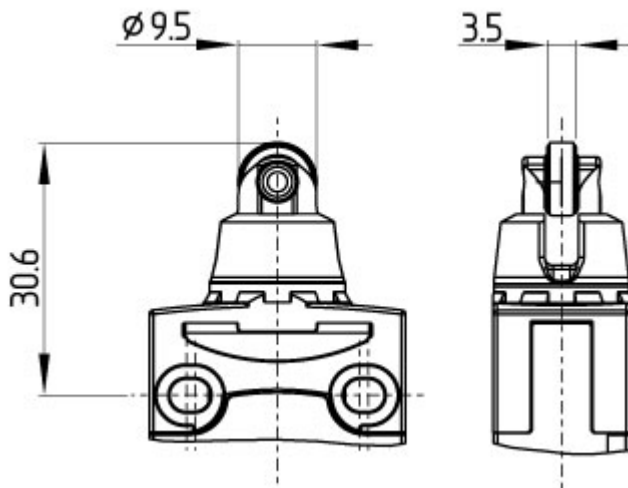
---



Product photo



Dimensional drawing (basic component)



Dimensional drawing (actuator)

K.A. Schmersal GmbH & Co. KG, Mödinghofe 30, D-42279 Wuppertal

The data and values have been checked thoroughly. Technical modifications and errors excepted.

Generiert am 13.02.2019 - 13:54:45h Kasbase 3.3.0.F.64I