

## Datasheet - EX-T3Z 068-33YR

Pull-wire emergency stop switches / EX-T3Z 068



- Metal enclosure
- two-side operation / wire up to 2 x 50 m long
- Robust design
- Low actuating force
- Ex certified
- Pull-ring reset
- wire pull and breakage detection
- 3 switches in one enclosure

(Minor differences between the printed image and the original product may exist!)

### Ordering details

Product type description	EX-T3Z 068-33YR
Article number	EX-T3Z 068-33YR
EAN Code	
eCl@ss	27-37-12-90

### Approval


Approval	EEX IECEX INMETRO
----------	-------------------------

### Classification

Standards	EN ISO 13849-1
B10d Normally-closed contact (NC)	100.000
Mission time notice	20 Years
	$MTTF_d = \frac{B_{10d}}{0,1 \times n_{op}}$
	$n_{op} = \frac{d_{op} \times h_{op} \times 3600 \text{ s/h}}{t_{cycle}}$

### Global Properties

Permanent light	EX-T3Z 068
-----------------	------------

Standards	EN 60947-5-1, EN 60947-5-5, EN ISO 13850, EN 60079-0, EN 60079-31, ABNT NBR IEC 60947-5-1, ABNT NBR IEC 60947-5-5, ABNT NBR IEC 60079-0, ABNT NBR IEC 60079-31
Compliance with the Directives (Y/N) 	Yes
Materials	
- Material of the housings	cast iron, painted
- Material of the cover	cast iron, painted
- Material of the contacts	Silver
Weight	
Emergency-Stop button (Y/N)	No

## Mechanical data

---

Design of electrical connection	Screw connection
Cable section	
- Min. Cable section	0,75
- Max. Cable section	1.5
Mechanical life	50000 operations
notice	All indications about the cable section are including the conductor ferrules.
Actuating force	max. 50 N (30 N in direction of rope)
Indicator lamp (Y/N)	No
Key reset (Y/N)	No
Pull-ring reset (Y/N)	Yes
Positive break angle	32 °
Positive break torque	18
Positive break force	50
Length of wire	max. 2 x 50 m

## Ambient conditions

---

Ambient temperature	
- Min. environmental temperature	-20
- Max. environmental temperature	+60
Protection class	IP65, IP66 to IEC/EN 60529 ABNT NBR IEC 60529

## Electrical data

---

Design of control element	Normally open contact (NO), Opener (NC)
Switching principle	Snap switch element
Number of auxiliary contacts	3
Number of safety contacts	3
Rated impulse withstand voltage $U_{imp}$	4 kV
Rated insulation voltage $U_i$	250 V
Thermal test current $I_{the}$	10 A
Utilisation category	AC-15: 230 V / 2,5 A, DC-13: 24 V / 6 A
Max. fuse rating	6 A gG D-fuse

## ATEX

---

EX-marking	EX II 2D Ex tb IIIC T90°C Db
Explosion protection categories for gases	None
Explosion protection Zones for gases	None
Explosion protected category for dusts	2D

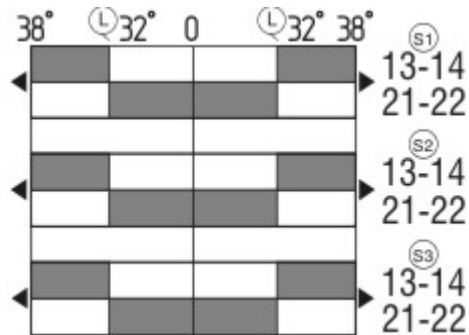
## notice

---

At 3 m distance intermediate wire supports are required, see accessories

## Switch travel diagram

---



### Notes Switch travel diagram

- Contact closed
- Contact open
- Setting range
- Break point
- Positive opening sequence/- angle
- VS** adjustable range of NO contact
- VÖ** adjustable range of NC contact
- N** after travel

## Ordering suffix

---

The applicable ordering suffix is added at the end of the part number of the safety switch.

Order example: EX-T3Z 068-33YR-**1637**

...-**1637**

0,3 µm gold-plated contacts

## Ordering code

---

EX-T3Z 068 -(1)YR

<b>(1)</b>	
<b>11</b>	1 Normally open contact (NO) / 1 Opener (NC)
<b>22</b>	2 Normally open contact (NO) / 2 Opener (NC)
<b>33</b>	3 Normally open contact (NO) / 3 Opener (NC)
<b>(2)</b>	
<b>1637</b>	gold-plated contacts

## Documents

---

**Operating instructions and Declaration of conformity** (jp) 393 kB, 10.02.2014

Code: mrl\_ex-t3z068\_jp

**Operating instructions and Declaration of conformity** (es) 333 kB, 12.02.2018

Code: mrl\_ex-t3z068\_es

**Operating instructions and Declaration of conformity** (br) 339 kB, 06.02.2018

Code: mrl\_ex-t3z068\_br

**Operating instructions and Declaration of conformity** (it) 331 kB, 16.02.2018

Code: mrl\_ex-t3z068\_it

**Operating instructions and Declaration of conformity** (fr) 336 kB, 09.03.2018

Code: mrl\_ex-t3z068\_fr

**Operating instructions and Declaration of conformity** (nl) 332 kB, 07.08.2018

Code: mrl\_ex-t3z068\_nl

**Operating instructions and Declaration of conformity** (de) 294 kB, 06.02.2018

Code: mrl\_ex-t3z068\_de

**Operating instructions and Declaration of conformity** (pt) 339 kB, 06.02.2018

Code: mrl\_ex-t3z068\_pt

**Operating instructions and Declaration of conformity** (en) 334 kB, 06.02.2018

Code: mrl\_ex-t3z068\_en

**Operating instructions and Declaration of conformity** (pl) 351 kB, 14.06.2018

Code: mrl\_ex-t3z068\_pl

**BG-test certificate** (de) 239 kB, 21.10.2014

Code: z\_ex-p04

**BG-test certificate** (en) 293 kB, 21.10.2014

Code: z\_ex-p03

**INMETRO certification** (br) 492 kB, 05.04.2017

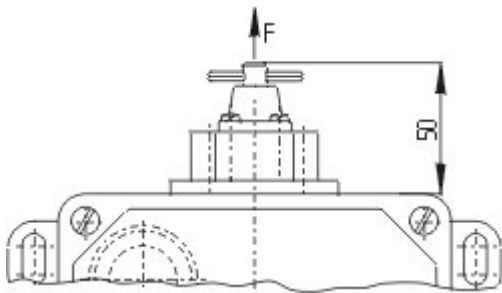
Code: q\_ex-p01

**IECEx certification** (en) 101 kB, 21.10.2014

Code: p\_ex-p01

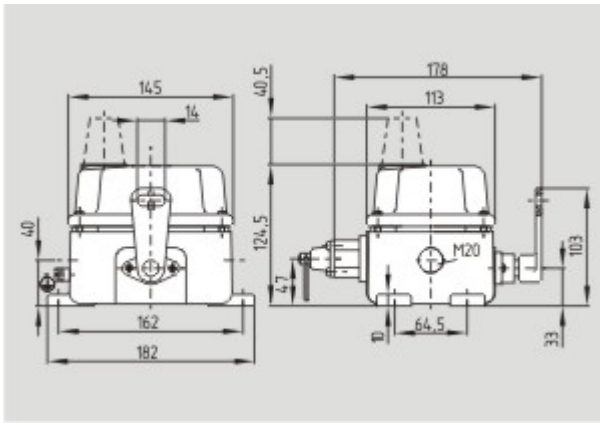
## Images

---



Dimensional drawing (basic component)

---



Dimensional drawing (basic component)

---

## System components

---

### Accessories



101162986 - Eyebolt BM 8 x 70



101192471 - Eyebolt BM 8 x 70 NIRO



101084928 - Eyebolt BM 10 x 40



101203477 - Wire clamp 3 mm NIRO



101203569 - Wire clamp 4 mm NIRO

---

101203478 - Wire clamp 5 mm NIRO



---

**101190917 - Duplex wire clamp 3 mm NIRO**

- for Wire rope Ø 3 mm



---

**101203569 - Duplex wire clamp 4 mm NIRO**

- for Wire rope Ø 3 mm



---

**101196043 - Egg-shaped wire clamp GR 3**

- for Wire rope Ø 3 mm



---

**101077072 - Egg-shaped wire clamp GR 4**

- for Wire rope Ø 4 mm



---

**101203472 - WIRE THIMBLE 3 mm NIRO**

- for Wire rope Ø 3 mm
- to DIN 6899



---

**101170750 - WIRE THIMBLE 4 mm**

- for Wire rope Ø 4 mm
- to DIN 6899



---

**101203475 - WIRE THIMBLE 4 mm NIRO**

- for Wire rope Ø 4 mm
- to DIN 6899





**101203476 - WIRE THIMBLE 5 mm NIRO**

- for Wire rope  $\varnothing$  5 mm
- to DIN 6899



**101192433 - PULLEY**

- for Wire rope  $\varnothing$  3 mm
- To guide the wire rope where the path is not a straight line



**101087930 - TENSIONING JACK M6**

- For exact adjustment of the tension of the wire rope
- to DIN 1480



**101087931 - TENSION SPRING RZ-136E**

- To maintain the reaction force



**101186490 - SHACKLE NIRO**

- Shackle for fixing the wire rope to the eyebolt



**101078670 - WIRE ROPE 5 mm**

- With red PVC sheath
- $\varnothing$  5 mm total
- Steel core  $\varnothing$  3 mm
- Quantity: Meter



**103003628 - WIRE UNIT COMPLETE 5 m**

- Ready-to-fit
- With red PVC sheath

---

**103003629 - WIRE UNIT COMPLETE 10 m**

- Ready-to-fit
- With red PVC sheath



---

**103003865 - WIRE UNIT COMPLETE 15 m**

- Ready-to-fit
- With red PVC sheath



---

**103003866 - WIRE UNIT COMPLETE 20 m**

- Ready-to-fit
- With red PVC sheath



---

**101170761 - WIRE UNIT COMPLETE 25 m**

- Ready-to-fit
- With red PVC sheath



---

**103003630 - WIRE UNIT COMPLETE 30 m**

- Ready-to-fit
- With red PVC sheath



---

**103003867 - WIRE UNIT COMPLETE 40 m**

- Ready-to-fit
- With red PVC sheath



---

**103003631 - WIRE UNIT COMPLETE 50 m**

- Ready-to-fit
- With red PVC sheath



---

**101186704 - rope tensioner S 900**

- Smooth adjustment
- Only one tool
- Antiskid
- Time-saving
- Ergonomic
- No risk of injury





---

K.A. Schmersal GmbH & Co. KG, Möddinghofe 30, D-42279 Wuppertal

The data and values have been checked thoroughly. Technical modifications and errors excepted.

Generiert am 13.02.2019 - 14:13:04h Kasbase 3.3.0.F.64I