

Datasheet - AV 25RX30U 45 GR.N

Door locking devices / AV 25



- for 2-leaf doors
- right-hand model
- Fail-safe locking system
- Metal enclosure
- authorised for use in passenger elevators
- Manual release by means of M5 triangular key

(Minor differences between the printed image and the original product may exist!)

Ordering details


Product type description	AV 25RX30U 45 GR.N
Article number	101081847
EAN Code	4030661006680
eCl@ss	27-27-26-03

Approval

Approval



Global Properties

Permanent light	AV 25
Standards	EN 81-20, EN 81-50
Compliance with the Directives (Y/N) 	Yes
Suitable for safety functions (Y/N)	Yes
Mounting	rear-side mounting holes
Number of door leaves	2
Materials	
- Material of the housings	light alloy die-casting
- Material of the contacts	Silver
- Locking bolt material	Brass
Weight	1340
Latching bolt bevelling	45 bottom

Mechanical data


Cable entry	without cable gland
-------------	---------------------

Design of actuating element	Pull strap
Orientation / Alignment	right-hand model
With fail-safe locking system (Y/N)	Yes
Manual release (Y/N)	Yes
Permanent magnet	Ceramic oxide magnet with high coercive field strength

Ambient conditions

Ambient temperature	
- Min. environmental temperature	-15
- Max. environmental temperature	+70
Protection class	IP20

Electrical data

Design of control element	Opener (NC)
Switching principle	Slow action
- positive break NC contact 	
Number of auxiliary contacts	0
Number of safety contacts	2
Rated impulse withstand voltage	6
Rated insulation voltage	400
Thermal test current	10 A
Utilisation category	AC-15: 230 V / 2 A, DC-13: 200 V / 2 A
Max. fuse rating	6 A (slow blow)

Dimensions

Dimensions	
- Width	285
- Height	80
- Depth	36

Dimensions of the latching bolt	
- Diameter of the latching bolt	18
- X-dimension of the latching bolt	30

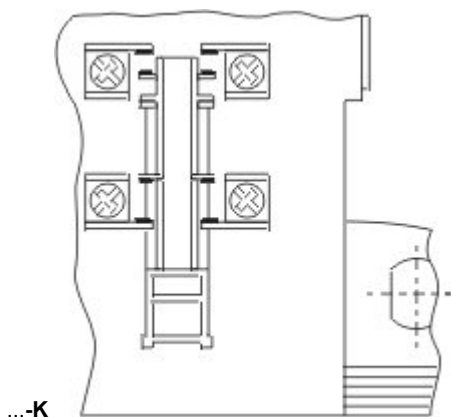
notice **X-dimension of the latching bolt:**
The overall latching bolt length is the result of the prescribed insertion depth of the latching bolt into the door leaf of 21 mm and the X-dimension. The X-dimension is the distance between the enclosure bottom of the door locking and the door top.

Accessories

notice	Manual release using triangular key M5 available as accessory
--------	---

Ordering suffix

The applicable ordering suffix is added at the end of the part number of the safety switch.
Order example: AV 25RX30U 45 GR.N-**K**



...-K

The auxiliary contact K shows the top position of the switch. This enables detecting which guard is unlocked. It is always the top contact.

...-GB215

additional front-side M8 mounting holes

Ordering code

AV 25(1)(2)(3)(4)(5)45 GR.N(6)

(1)

L left-hand model
R right-hand model

(2)

without without Auxiliary contact
K with Auxiliary contact

(3)

without without cable gland
E4 cable gland M20
E1 Cable entry

(4)

X... = 11, 5, 20, 30, 40, 45 mm

(5)

U 45° bottom
D 45° cover-side
L/R 45° 1 x left / 1 x right,

(6)

GB215

Documents

Operating instructions and Declaration of conformity (nl) 435 kB, 26.06.2018

Code: mrl_av15_nl

Operating instructions and Declaration of conformity (pt) 419 kB, 08.03.2017

Code: mrl_av15_pt

Operating instructions and Declaration of conformity (pl) 433 kB, 17.02.2017

Code: mrl_av15_pl

Operating instructions and Declaration of conformity (de) 404 kB, 06.12.2016

Code: mrl_av15_de

Operating instructions and Declaration of conformity (es) 418 kB, 12.01.2017

Code: mrl_av15_es

Operating instructions and Declaration of conformity (cn) 501 kB, 11.05.2017

Code: mrl_av15_cn

Operating instructions and Declaration of conformity (en) 616 kB, 18.10.2016

Code: mrl_av15_en

Operating instructions and Declaration of conformity (it) 418 kB, 12.01.2017

Code: mrl_av15_it

Operating instructions and Declaration of conformity (fr) 422 kB, 12.01.2017

Code: mrl_av15_fr

Operating instructions and Declaration of conformity (jp) 506 kB, 22.08.2017

Code: mrl_av15_jp

BG-test certificate (de) 247 kB, 12.05.2016

Code: _av25p01

BG-test certificate (en) 240 kB, 12.05.2016

Code: _av25p02

CCC certification (en) 2 MB, 29.10.2018

Code: q_avp02

CCC certification (cn) 2 MB, 29.10.2018

Code: q_avp03

EAC certification (ru) 2 MB, 03.12.2018

Code: q_0010p17_ru

notice (es) 1 MB, 09.02.2012

Code: s_aufp01_es

notice (en) 487 kB, 09.02.2012

Code: s_aufp01_en

notice (fr) 1 MB, 09.02.2012

Code: s_aufp01_fr

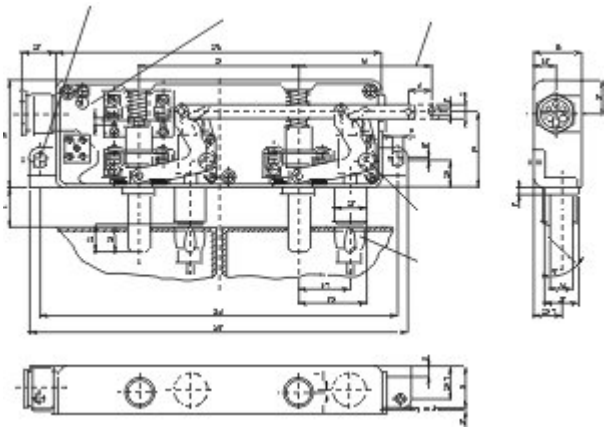
notice (it) 1 MB, 09.02.2012

Code: s_aufp01_it

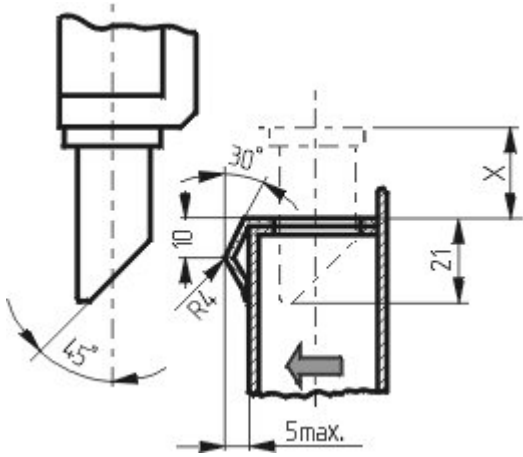
notice (de) 1 MB, 09.02.2012

Code: s_aufp01_de

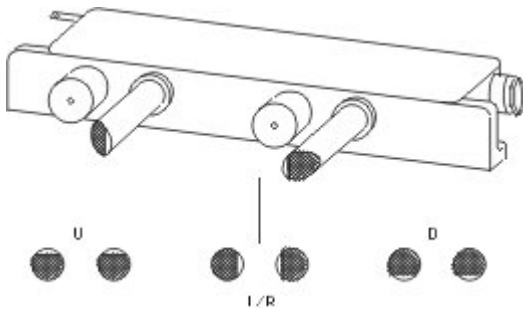
Images



Dimensional drawing (basic component)



Assembly example



Operating principle