

## Datasheet - EX-T4V10H 335-11Y



Position switches with safety function / EX-T335 Metal enclosure with Actuator / EX-T 335  
Rod lever 10H



(Minor differences between the printed image and the original product may exist!)

- Explosion protection for ATEX Zones 1 and 21
- **only for positioning tasks**
- Metal enclosure
- Wide range of alternative actuators
- Good resistance to oil and petroleum spirit
- 40,5 mm x 76 mm x 38 mm
- Actuator heads can be repositioned by 4 x 90°
- Ex-certified screwed cable gland
- Mounting details to EN 50041
- 1 Cable entry M 20 x 1.5
- Ex certified

### Ordering details

Product type description	EX-T4V10H335-11Y
Article number	101212062
EAN Code	
eCl@ss	27-27-26-01

### Approval


Approval	ATEX IECEX INMETRO
----------	--------------------------

### Classification

Standards	EN ISO 13849-1
B10d Normally-closed contact (NC)	20.000.000
Mission time notice	20 Years
	$MTTF_d = \frac{B_{10d}}{0,1 \times n_{op}}$
	$n_{op} = \frac{d_{ap} \times h_{cp} \times 3600 \text{ s/h}}{t_{cycle}}$

### Global Properties

Permanent light	EX-T335 Stabschwenkhebel 10H
-----------------	------------------------------

Standards	EN 60079-0, EN 60079-1, EN 60079-7, EN 60079-31, EN 60947-5-1, BG-GS-ET-15
Compliance with the Directives (Y/N) 	Yes
Suitable for safety functions (Y/N)	No
Materials	
- Material of the housings	zinc die-cast
- Lever material	Metal film
- Material of the rod	Plastic
- Material of the contacts	Silver
Housing coating	painted
Housing construction form	Norm construction design
Weight	400

## Mechanical data

---

Design of electrical connection	Screw connection
Cable cross-section of the cable glands	
- Min. Cable cross-section of the cable glands	7
- Max. Cable cross-section of the cable glands	12
Cable section	
- Min. Cable section	1
- Max. Cable section	2.5
AWG-Number	13
Mechanical life	> 1.000.000 operations
Switching frequency	1800
notice	All indications about the cable section are including the conductor ferrules.
Design of actuating element	Rod lever
actuating torque	31
Bounce duration	< 3
Switchover time	in accordance with actuating speed
Impact energy	7
Actuating speed with actuating angle 30° to switch axis	
- Min. Actuating speed	
- Max. Actuating speed	2.5

## Ambient conditions

---

Ambient temperature	
- Min. environmental temperature	-20
- Max. environmental temperature	+55 °C at Cable section 2.5 +50 °C at Cable section 1 mm
Protection class	IP65

## Electrical data

---

Design of control element	Normally open contact (NO), Opener (NC)
Switching principle	Slow action
- positive break NC contact 	
Number of auxiliary contacts	1
Number of safety contacts	1
Rated impulse withstand voltage	4
Rated insulation voltage	250
Thermal test current	5 A

Utilisation category	AC-1
Max. fuse rating	6 A gG D-fuse

## ATEX

---

EX-marking	EX II 2D Ex tb IIIC T80°C Db EX II 2G Ex d e IIC T6 Gb
Explosion protection categories for gases	2G
Explosion protection Zones for gases	1
Explosion protected category for dusts	2D
Explosion protection Zones for dusts	21

## Dimensions

---

Dimensions of the sensor	
- Width of sensor	40.5
- Height of sensor	111.5 (without Rod)
- Length of sensor	38

## Keywords

---

Keywords	Ex, EEx, ATEX, Ex 235, Ex 235, 235 Ex, 235ex, 235ex, ATEX 235
----------	---

## Ordering code

---

EX-T **(1)** 335-**(2)**Y**(3)**-**(4)**-**(5)**

**(1)**

<b>S</b>	Plunger S
<b>R</b>	Roller plunger R
<b>H</b>	Roller lever H
<b>10H</b>	Rod lever 10H
<b>7H</b>	Roller lever 7H
<b>7H-2138</b>	Roller lever 7H for Position switches with safety function
<b>1K</b>	Offset roller lever 1K
<b>3K</b>	Angle roller lever 3K

**(2)**

<b>11</b>	1 Normally open contact (NO) / 1 Opener (NC)
<b>02</b>	2 Opener (NC)
<b>20</b>	2 Normally open contact (NO) ( <i>Switch with 2 NO contacts are not for security tasks</i> )

**(3)**

<b>UE</b>	Slow action with overlapping contacts
<i>without</i>	Slow action with staggered contacts

**(4)**

<b>2138</b>	Roller lever 7H for Position switches with safety function
-------------	--

**(5)**

<b>RMS</b>	Castor aus Brass
------------	------------------

## Documents

---

**Operating instructions and Declaration of conformity** (pl) 403 kB, 06.12.2018

Code: mrl\_ext335\_pl

**Operating instructions and Declaration of conformity** (jp) 493 kB, 23.01.2018

Code: mrl\_ext335\_jp

**Operating instructions and Declaration of conformity** (en) 347 kB, 24.03.2014

Code: mrl\_ext335\_en

**Operating instructions and Declaration of conformity** (en) 481 kB, 16.11.2011

Code: mrl\_ext335\_en

**Operating instructions and Declaration of conformity** (en) 385 kB, 25.10.2018

Code: mrl\_ext335\_en

**Operating instructions and Declaration of conformity** (pt) 389 kB, 25.10.2018

Code: mrl\_ext335\_pt

**Operating instructions and Declaration of conformity** (it) 381 kB, 23.01.2018

Code: mrl\_ext335\_it

**Operating instructions and Declaration of conformity** (fr) 389 kB, 06.12.2018

Code: mrl\_ext335\_fr

**Operating instructions and Declaration of conformity** (de) 351 kB, 25.10.2018

Code: mrl\_ext335\_de

**Operating instructions and Declaration of conformity** (de) 481 kB, 10.11.2011

Code: mrl\_ext335\_de

**Operating instructions and Declaration of conformity** (es) 387 kB, 06.12.2018

Code: mrl\_ext335\_es

**Operating instructions and Declaration of conformity** (nl) 383 kB, 12.11.2018

Code: mrl\_ext335\_nl

**Operating instructions and Declaration of conformity** (br) 390 kB, 25.10.2018

Code: mrl\_ext335\_br

**Operating instructions and Declaration of conformity** (sv) 389 kB, 25.10.2018

Code: mrl\_ext335\_pt

**BG-test certificate** (en) 483 kB, 26.11.2018

Code: z\_ex-p02

**BG-test certificate** (de) 476 kB, 26.11.2018

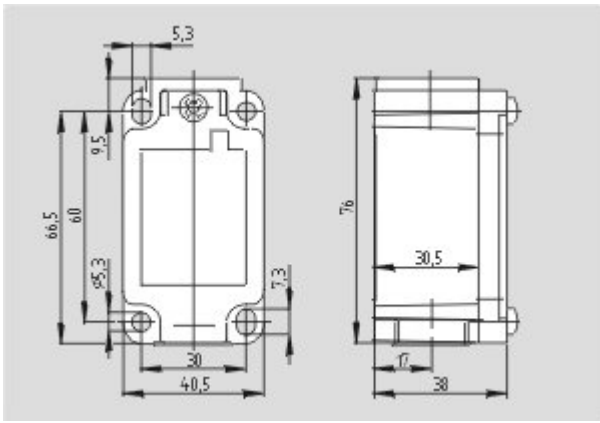
Code: z\_ex-p01

**INMETRO certification** (br) 533 kB, 24.07.2017

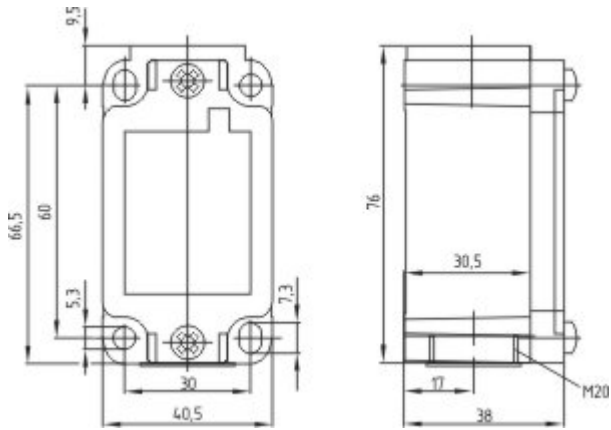
Code: q\_ex-p04

**IECEx certification** (en) 141 kB, 26.11.2018

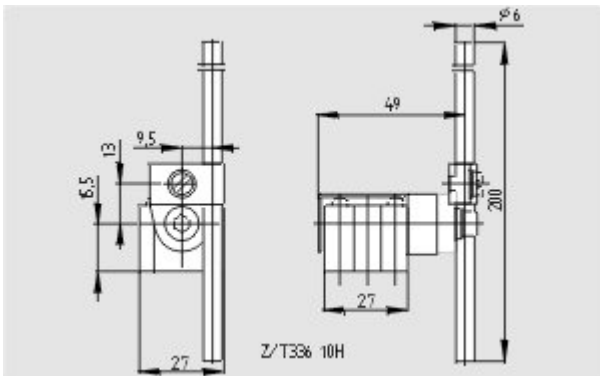
Code: p\_exp01



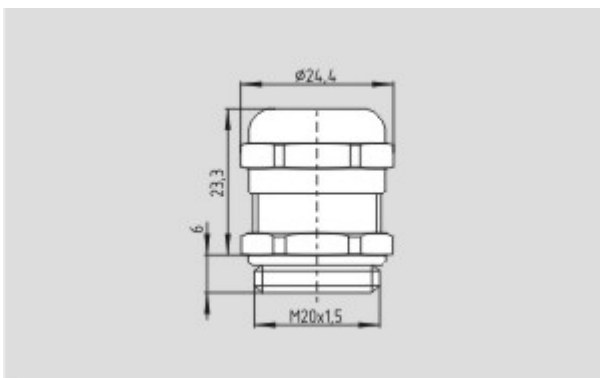
Dimensional drawing (basic component)



Dimensional drawing (basic component)



Dimensional drawing (actuator)



Dimensional drawing (miscellaneous)