

## Datasheet - PS226-Z12-K250



Position switch / PS226 Thermoplastic enclosure - EN 50047 with Actuator / PS226 Angle roller lever K250



- thermoplastic enclosure with foldable latching cover
- Quick connection technology as connection terminals rotated by 45°
- Simple and quick to adjust the control elements by 45°.
- cable entry 2 x M20 x 1,5
- Design to EN 50047

(Minor differences between the printed image and the original product may exist!)

### Ordering details

|                          |                |
|--------------------------|----------------|
| Product type description | PS226-Z12-K250 |
| Article number           | 103015064      |
| EAN Code                 | 4030661501949  |
| eCl@ss                   | 27-27-06-01    |

### Approval

Approval



### Classification

|                                   |  |
|-----------------------------------|--|
| Standards                         | ISO 13849-1  |
| B10d Normally-closed contact (NC) | 20.000.000   |
| Mission time                      | 20 Years   |
| notice                            | $MTTF_d = \frac{B_{10d}}{0,1 \times n_{op}}$ $n_{op} = \frac{d_{op} \times h_{op} \times 3600 \text{ s/h}}{t_{cycle}}$ |

## Global Properties

---

|                                      |                                    |
|--------------------------------------|------------------------------------|
| Permanent light                      | PS226 with Angle roller lever K250 |
| Standards                            | IEC 60947-5-1                      |
| Compliance with the Directives (Y/N) | Yes                                |
| Suitable for safety functions (Y/N)  | Yes                                |
| Actuator type                        |                                    |
| Materials                            |                                    |
| - Material of the housings           | Plastic, glass-fiber-reinforced    |
| - Material of the contacts           | Silver                             |
| Housing coating                      | None                               |
| Housing construction form            | Norm construction design           |
| Weight                               | 76 g                               |

## Mechanical data

---

|  |                         |
|--|-------------------------|
| Design of electrical connection        | Screw connection        |
| Cable section                          |                         |
| - Min. Cable section                   | 0,34 mm <sup>2</sup>    |
| - Max. Cable section                   | 1.5 mm <sup>2</sup>     |
| Mechanical life                        | 10.000.000 operations   |
| Switching frequency                    | max. 5000 /h            |
| Design of actuating element            | Angle roller lever K250 |
| Positive break force                   | > 40 N                  |
| Actuating speed for vertical actuation |                         |
| - Min. Actuating speed                 | 10 mm/min               |
| - Max. Actuating speed                 | 1 m/s                   |

## Ambient conditions

---

|                                  |            |
|----------------------------------|------------|
| Ambient temperature              |            |
| - Min. environmental temperature | -30 °C     |
| - Max. environmental temperature | +80 °C     |
| Protection class                 | IP66, IP67 |

## Electrical data

---

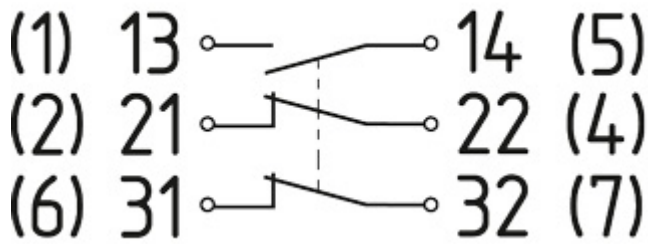
|   |   |
|---|---|
| Design of control element                 | 1 Normally open contact (NO), 2 Opener (NC) |
| Switching principle                       | Snap switch element                         |
| - positive break NC contact               |   |
| Number of auxiliary contacts              | 1 piece                                     |
| Number of safety contacts                 | 2 piece                                     |
| Rated impulse withstand voltage $U_{imp}$ | 4 kV  |
| Rated insulation voltage $U_i$            | 300 V                                       |
| Thermal test current $I_{the}$            | 5 A   |
| Utilisation category                      | AC-15: 240 V / 3 A, DC-13: 24 V / 3 A       |
| Required rated short-circuit current      | 400 A                                       |
| Max. fuse rating                          | 6 A gG D-fuse                               |

## Dimensions

---

|                          |        |
|--------------------------|--------|
| Dimensions of the sensor |        |
| - Width of sensor        | 59 mm  |
| - Height of sensor       | 107 mm |

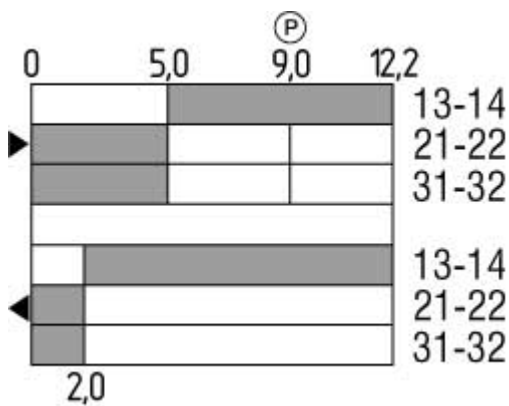
**Diagram**



Note Diagram

- positive break NC contact
- active
- no active
- Normally-open contact
- Normally-closed contact

**Switch travel diagram**



Notes Switch travel diagram

- Contact closed
- Contact open
- Setting range
- Break point
- Positive opening sequence/- angle
- VS** adjustable range of NO contact
- VÖ** adjustable range of NC contact
- N** after travel

**Ordering code**

PS2(1)(2)-(3)-(4)-(5)-(6)

(1)

1

2

(2)

5

6

(3)

slim design

large design

Metal enclosure

Thermoplastic enclosure

|       |  |
|-------|--|
| T02   | Slow action 2 Opener (NC)  |
| T02H  | Slow action with staggered contacts 2 Opener (NC)                                  |
| T03   | Slow action 3 Opener (NC)  |
| T10   | Slow action 1 Normally open contact (NO)   |
| T11   | Slow action 1 Normally open contact (NO) / 1 Opener (NC)                           |
| T11UE | Slow action with overlapping contacts 1 Normally open contact (NO) / 1 Opener (NC) |
| T12   | Slow action 1 Normally open contact (NO) / 2 Opener (NC)                           |
| T20   | Slow action 2 Normally open contact (NO)   |
| T21   | Slow action 2 Normally open contact (NO) / 1 Opener (NC)                           |
| Z02   | Snap action 2 Opener (NC)  |
| Z11   | Snap action 1 Normally open contact (NO) / 1 Opener (NC)                           |
| Z11R  | Snap action 1 Normally open contact (NO) / 1 Opener (NC) with Latching             |
| Z12   | Snap action 1 Normally open contact (NO) / 2 Opener (NC)                           |
| (4)   |  |
| ST    | connector plug M12, bottom   |
| STR   | connector plug M12, right  |
| (5)   |  |
| S20   | Plunger S200   |
| R20   | Roller plunger R200  |
| K20   | Offset roller lever K200   |
| K21   | Offset roller lever K210   |
| K23   | Angle roller lever K230  |
| K24   | Angle roller lever K240  |
| K25   | Angle roller lever K250  |
| H20   | Roller lever H200  |
| N20   | Roller lever N200  |
| J20   | Rod lever J200   |
| (6)   |  |
| 0     | Material Castor/Roller: Plastic  |
| 1     | Material Castor/Roller: Stainless steel  |
| 2     | Material Castor/Roller: Brass  |
| 3     | Material Castor/Roller: Aluminium  |
| 4     | Material Castor/Roller: Steel  |

## Documents

---

**Declaration of conformity** (en) 88 kB, 22.11.2017

Code: konfi\_mrl\_ps116\_en

**Declaration of conformity** (de) 87 kB, 22.11.2017

Code: konfi\_mrl\_ps116\_de

**CCC certification** (cn) 3 MB, 29.08.2017

Code: q\_ps2p02

**CCC certification** (en) 3 MB, 29.08.2017

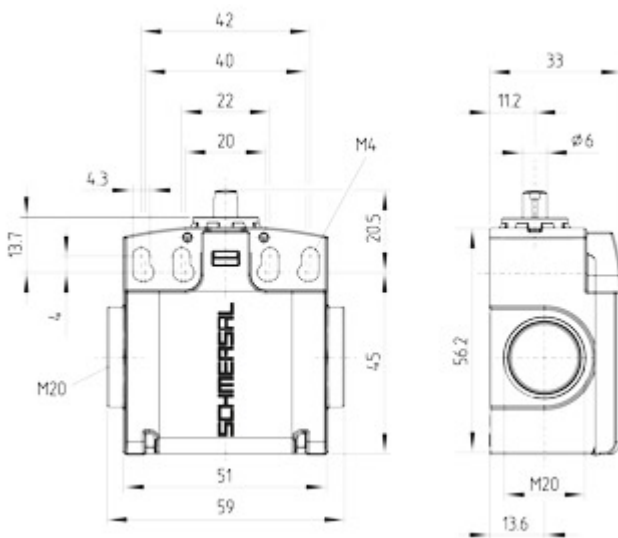
Code: q\_ps2p01

## Images

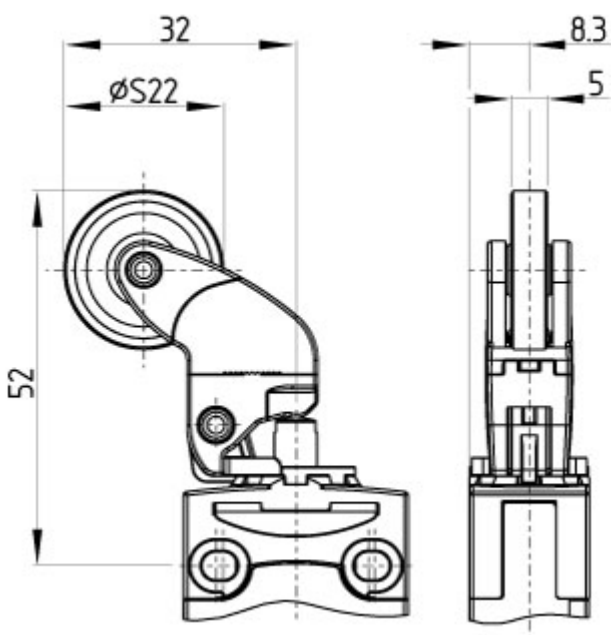
---



Product photo



Dimensional drawing (basic component)



Dimensional drawing (actuator)

