

## Datasheet - SD-I-DP-V0-2

Accessories SD interface / Gateway / SD-I-DP-V0-2



Preferred typ



(Minor differences between the printed image and the original product may exist!)

- PROFIBUS Gateway SD-I-DP-V0-2 to convert serial diagnostic signals to the PROFIBUS DP protocol
- The PROFIBUS Gateway SD-I-DP-V0-2 is a PROFIBUS slave
- Protection class IP 10 device for control cabinet mounting, for standard DIN rails

### Ordering details

Product type description	SD-I-DP-V0-2
Article number	101192805
EAN Code	4030661353951
eCl@ss	27-27-24-90

### Approval

Approval	None
----------	------

### Global Properties

Permanent light	SD-Gateway
Standards	-
Compliance with the Directives (Y/N) 	Yes
Mounting	snaps onto standard DIN rail to EN 60715
Weight	120
DIP switch, 8-pole	S1 ... S7: addressing as Profibus slave; S8: automatic addressing of the serial devices

### Mechanical data

Design of electrical connection	Cage clamps
resistance to shock	15 g / 11 ms

Resistance to vibration To EN 60068-2-6

5 ... 9 HZ, Amplitude 3.5 mm;  
9 ... 150 HZ, with 1 g

## Ambient conditions

---

### Ambient temperature

- Min. environmental temperature -5
- Max. environmental temperature +55

### Storage and transport temperature

- Min. Storage and transport temperature -25
- Max. Storage and transport temperature +85

### Protection class

- Protection class-Enclosure IP10

### Air clearances and creepage distances To IEC/EN 60664-1

- Rated impulse withstand voltage  $U_{imp}$  0,5 kV
- Overvoltage category II To VDE 0110
- Degree of pollution 2 To VDE 0110

## Interface

---

Interface	9-pole SUB-D connector, default Profibus connection (DP-A, DP-B, 5V, GND)
Protocol	Profibus-DP -V0 upwards compatible
Transfer rate	9600 Baud ... 12 MBaud
GSD file	KAS_0b13.GSD <a href="#">DOWNLOAD</a>

## Electrical data

---

Clip SD	connection for max. 31 devices in the serial diagnostics
Clip 24 V	+ 24 VDC power supply
Clip 0 V	GND of the power supply and GND of the diagnostic line
Rated insulation voltage $U_i$	32 V
Rated operating voltage $U_e$	24 VDC, - 15 % / + 20 % (stabilised PELV)
Operating current $I_e$	max. 250 mA
Max. fuse rating	internal fuse to EN 60127, PolySwitch 0.5 A / 60 V

## LED switching conditions display

---

LED switching conditions display (Y/N)	Yes
Number of LED's	4
LED switching conditions display	
- The integrated LEDs indicate the following operating states.	
- PB Continuous signal red	Error PROFIBUS
- PB Flashing signal	Initialisation PROFIBUS
- SD Continuous signal red	Error SD Gateway
- SD Flashing signal	Initialisation SD Gateway
- T Continuous signal yellow	SD initialisation error, teaching required
- T Flashing signal	Initialization error SD device addresses, teaching required
- ON Continuous signal green	Power supply on

## Miscellaneous data

---

Applications



Guard system



## Dimensions

---

### Dimensions

- Width	50 mm
- Height	72 mm
- Depth	97 mm

## notice

---

Detailed functions, see programming and configuration manual of the SD Gateway

## notice - Wiring example

---

Serial diagnostics of series-wired safety sensors/solenoid interlocks

Devices with serial diagnostic option: AZ 200, AZM 200, CSS 30S, CSS 34, MZM 100

## Keywords

---

Search keys

PROFIBUS, SD Gateway

## Documents

---

**Mounting and wiring instructions** (de, en, fr) 192 kB, 10.03.2009

Code: m\_sdip04

**Brochure** (de) 6 MB, 15.02.2018

Code: b\_css\_brosch09\_de

**Brochure** (en) 6 MB, 15.02.2018

Code: b\_css\_brosch09\_en

**Project engineering** (en) 964 kB, 13.08.2009

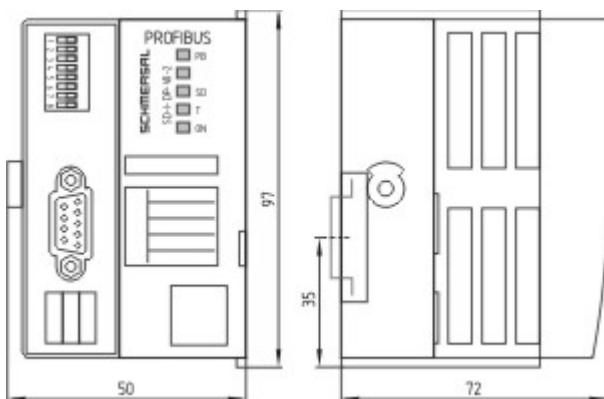
Code: p\_sd-p02

**Project engineering** (de) 707 kB, 29.10.2007

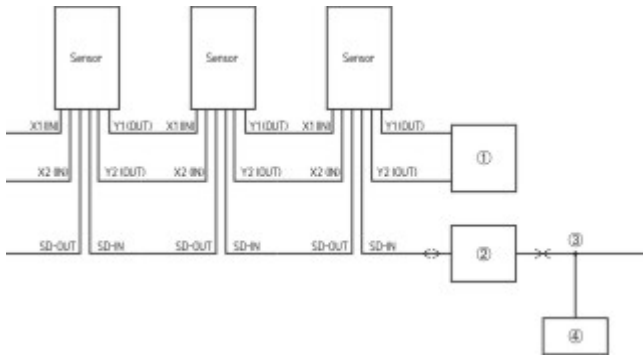
Code: p\_sd-p01

## Images

---



Dimensional drawing (basic component)



Wiring example

## System components

### Configuration software



101195620 - GSD FILE SD-I-DP-V0-2

- Configuration software

K.A. Schmersal GmbH & Co. KG, Möddinghofe 30, D-42279 Wuppertal

The data and values have been checked thoroughly. Technical modifications and errors excepted.

Generiert am 13.02.2019 - 12:38:34h Kasbase 3.3.0.F.64l