

Datasheet - EX-M. 441-11Y-966-1276-2

Belt alignment switch / EX-441 Belt alignment switch



(Minor differences between the printed image and the original product may exist!)

- Ex certified
- Metal enclosure
- 106 mm x 99 mm x 63 mm (basic component)
- Suitable for heavy duty
- 2 cable entries M20

Ordering details

Product type description	EX-M. 441-11Y-966-1276-2
Article number	EX-M. 441-11Y-966-1276-2
EAN Code	
eCl@ss	27-27-26-01

Approval

Approval



Global Properties

Permanent light	EX-441 Bandschieflaufschalter
Standards	EN 60947-5-1
Compliance with the Directives (Y/N)	Yes
Suitable for safety functions (Y/N)	No
Standard housing (Y/N)	No
Materials	
- Material of the housings	cast iron, galvanized
- Material of the contacts	Silver
Housing coating	painted
Weight	

Mechanical data

Design of electrical connection	Screw connection
Cable section	
- Min. Cable section	1.5
- Max. Cable section	2.5
Active principle	mechanical
Mechanical life	10.000.000 operations
Switching frequency	3000
Contact opening	2 x 2.5
Actuation direction	each time 60° right-hand side and left-hand side rotation

Ambient conditions

Ambient temperature	
- Min. environmental temperature	-20
- Max. environmental temperature	+60
Protection class	IP65, IP66 and IP67 to IEC/EN 60529

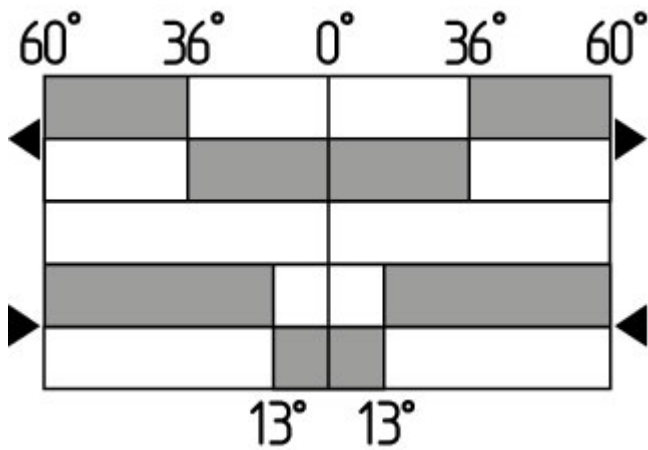
Electrical data

Design of control element	Normally open contact (NO), Opener (NC)
Switching principle	Snap switch element
Number of shutters	1
Number of openers	1
Rated impulse withstand voltage	4
Rated insulation voltage	250
Thermal test current	16 A
Utilisation category	AC-15: 230 V / 4 A
Max. fuse rating	16 A gG D-fuse

Dimensions

Dimensions of the sensor	
- Width of sensor	106
- Height of sensor	99
- Length of sensor	63
Dimensions of the lever	
- Width of the lever	32
- Height of the lever	159
- Length of the lever	32
Roller diameter	32

Switch travel diagram



Notes Switch travel diagram

■ Contact closed

□ Contact open

▨ Setting range

Ⓛ Break point

Ⓟ Positive opening sequence/- angle

VS adjustable range of NO contact

VÖ adjustable range of NC contact

N after travel

Documents

Operating instructions and Declaration of conformity (en) 298 kB, 30.10.2018

Code: mrl_ex-tm441_en

Operating instructions and Declaration of conformity (de) 273 kB, 30.10.2018

Code: mrl_ex-tm441_de

Operating instructions and Declaration of conformity (jp) 346 kB, 10.02.2014

Code: mrl_ex-tm441_jp

Operating instructions and Declaration of conformity (it) 296 kB, 31.10.2018

Code: mrl_ex-tm441_it

Operating instructions and Declaration of conformity (br) 302 kB, 30.10.2018

Code: mrl_ex-tm441_br

Operating instructions and Declaration of conformity (pl) 310 kB, 31.10.2018

Code: mrl_ex-tm441_pl

Operating instructions and Declaration of conformity (fr) 316 kB, 31.10.2018

Code: mrl_ex-tm441_fr

Operating instructions and Declaration of conformity (pt) 301 kB, 31.10.2018

Code: mrl_ex-tm441_pt

Operating instructions and Declaration of conformity (nl) 291 kB, 31.10.2018

Code: mrl_ex-tm441_nl

Operating instructions and Declaration of conformity (es) 298 kB, 26.11.2018

Code: mrl_ex-tm441_es

BG-test certificate (en) 382 kB, 22.10.2014

Code: z_ex-p06

BG-test certificate (de) 368 kB, 22.10.2014

Code: z_ex-p05

INMETRO certification (br) 503 kB, 05.04.2017

Code: q_ex-p02

IECEx certification (en) 118 kB, 22.10.2014

Code: p_ex-p02

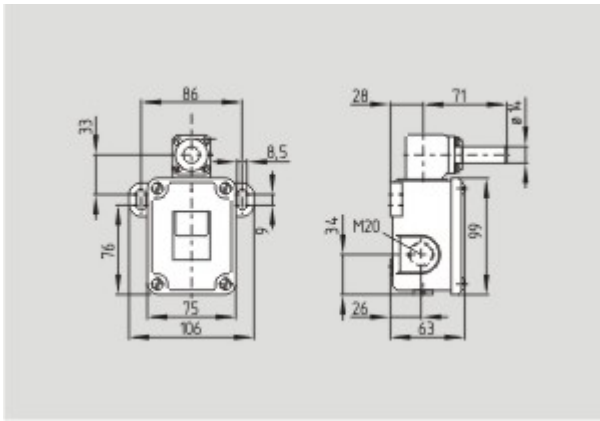
Images



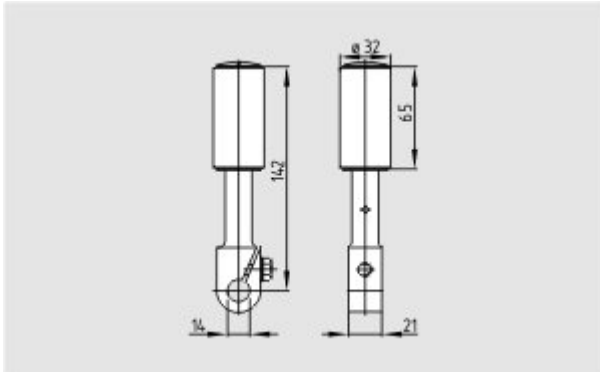
Product photo



Product photo



Dimensional drawing (basic component)



Dimensional drawing (basic component)

K.A. Schmersal GmbH & Co. KG, Mödinghofe 30, D-42279 Wuppertal

The data and values have been checked thoroughly. Technical modifications and errors excepted.

Generiert am 13.02.2019 - 12:46:27h Kasbase 3.3.0.F.64I