

Datasheet - SEPG 05.3.L.22

Two-hand control panels / SEPG 05.3 / Empty enclosure



- Metal enclosure
- without mountings with 3 mounting holes \varnothing 22.3 mm
- 2 part enclosure
- Stand and wall mounting possible

(Minor differences between the printed image and the original product may exist!)

Ordering details

Product type description	SEPG 05.3.L.22
Article number	101172767
EAN Code	4250116202911
eCl@ss	27-37-12-19

Global Properties

Permanent light	SEPG - Leergehäuse
Materials	
- Material of the housings	Aluminium
Housing coating	powder-coated
Weight	

Dimensions

Dimensions	
- Width	494 mm
- Height	184 mm
- Depth	160 mm

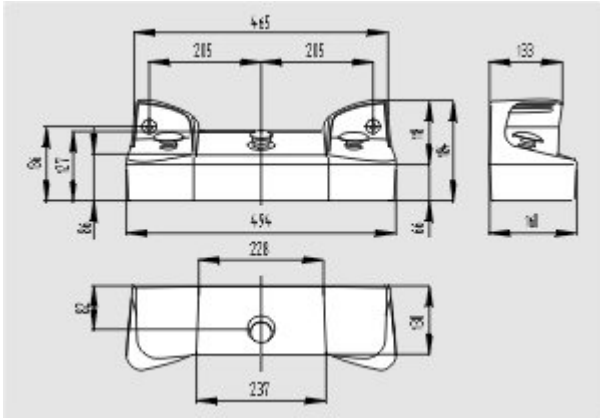
notice

Central part suitable for fitting of up to 10 additional command devices and indicator lights (\varnothing 22 mm)
Optional: actuators with low actuating force

Keywords

Empty enclosure, Two-hand control panels

Images



Dimensional drawing (basic component)

K.A. Schmersal GmbH & Co. KG, Möddinghofe 30, D-42279 Wuppertal

The data and values have been checked thoroughly. Technical modifications and errors excepted.

Generiert am 13.02.2019 - 14:53:58h Kasbase 3.3.0.F.64I