

Datasheet - SD-2V-S-SK

Accessories SD interface / SD junction boxes (junction box for 2 components)



Preferred typ



(Minor differences between the printed image and the original product may exist!)

- for cabinet-mounting
- junction box for 2 components, with screw terminals
- is fitted onto a proper standard DIN rail to facilitate wiring in the control cabinet

Ordering details

Product type description	SD-2V-S-SK
Article number	101188436
EAN Code	4030661352565
eCl@ss	27-27-24-91

Approval

Approval	VDE 0100
----------	----------

Global Properties

Permanent light	SD-Verteiler
Compliance with the Directives (Y/N) 	Yes
Materials	
- Material of the housings	Plastic, thermoplastic, self-extinguishing
Weight	200

Mechanical data

termination	Screw connection
Cable section	
- Min. Cable section	0,25
- Max. Cable section	2.5
notice	All indications about the cable section are including the conductor ferrules.

Ambient conditions

Ambient temperature	
- Min. environmental temperature	-25
- Max. environmental temperature	+70
Storage and transport temperature	
- Min. Storage and transport temperature	-25
- Max. Storage and transport temperature	+85
Relative humidity	30 ... 95, non-condensing
Protection class	IP00
Protection rating	II
Air clearances and creepage distances To IEC/EN 60664-1	
- Rated impulse withstand voltage U_{imp}	0,8 kV
- Overvoltage category	III
- Degree of pollution	2

Electrical data

Rated insulation voltage U_i	32 VDC
Rated operating voltage U_e	24 VDC - 15 % / + 10 % (stabilised PELV)
Operating current I_e	16 A
Fuse rating for the operating voltage	3x Safety fuse, 2 A slow blow
Device insulation	16 A

Dimensions

Dimensions	
- Width	92 mm
- Height	89.6 mm
- Depth	68.5 mm

notice

To each SD junction box, 2 (optionally 3) components can be connected.

Documents

Mounting and wiring instructions (de, en, fr) 271 kB, 06.03.2008

Code: m_sdivp01

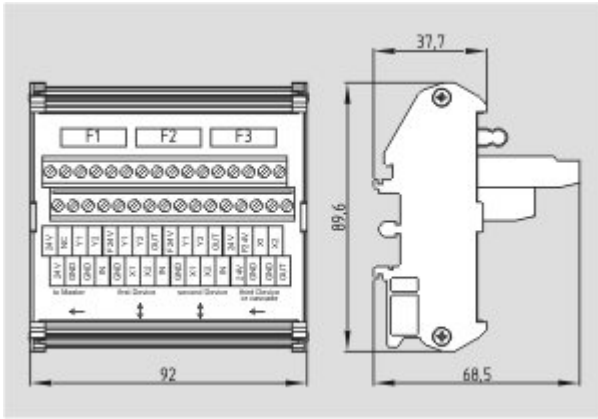
Brochure (de) 6 MB, 15.02.2018

Code: b_css_brosch09_de

Brochure (en) 6 MB, 15.02.2018

Code: b_css_brosch09_en

Images



Dimensional drawing (basic component)

K.A. Schmersal GmbH & Co. KG, Mödinghofe 30, D-42279 Wuppertal
 The data and values have been checked thoroughly. Technical modifications and errors excepted.
 Generiert am 13.02.2019 - 12:38:41h Kasbase 3.3.0.F.64I