

Datasheet - EDRRS40RT

Emergency-Stop button / Emergency-Stop button / EDRRS



- Metal actuators
- Key unlatching
- Projection from front of panel 35 mm

(Minor differences between the printed image and the original product may exist!)

Ordering details


Product type description	EDRRS40RT
Article number	101025432
EAN Code	
eCl@ss	27-37-12-12

Approval

Approval



Global Properties

Permanent light	EDRRS
Standards	IEC/EN 60947-5-5, EN ISO 13850:2006
Compliance with the Directives (Y/N) 	Yes
Range	Emergency-Stop button
Suitable for safety functions (Y/N)	Yes
Mounting	mounting flange
Materials	
- Material of the operators	Brass, coated
Construction form	Embeddable button - Front plate mounting
Form	Round
Color	

- Colour of the operating element	■ red
Weight	60
Can be illuminated (Y/N)	No

Mechanical data

Mechanical life	> 100.000 operations
Switching frequency	600
Actuating force	
Actuating stroke	5
restistance to shock	max. 70 g / 4 ms
Latching (Y/N)	Yes
Unlocking type	Key unlatching
Probing possible (Y/N)	No
Front plate thickness	
- min. front plate thickness	1.5
- max. front plate thickness	6
Tightening torque for fixing screws	0,6

Ambient conditions

Ambient temperature	
- Min. environmental temperature	-25
- Max. environmental temperature	+75
Fully insulated (Y/N)	No
Sealing type	
Protection type IP	IP65

LED switching conditions display

With integrated LED (Y/N)	No
---------------------------	----

Dimensions

Dimensions	
- Height	35 mm
- Diameter of cap	Ø 37.5
Hole, diameter	22.3 + 0,4

Documents

Operating instructions and Declaration of conformity (cn) 604 kB, 30.04.2015
Code: mrl_edr_cn

Operating instructions and Declaration of conformity (pt) 436 kB, 22.01.2018
Code: mrl_edrrs_pt

Operating instructions and Declaration of conformity (es) 398 kB, 22.11.2018
Code: mrl_edrrs_es

Operating instructions and Declaration of conformity (pl) 420 kB, 05.03.2018
Code: mrl_edrrs_pl

Operating instructions and Declaration of conformity (nl) 400 kB, 06.12.2018

Code: mrl_edrrs_nl

Operating instructions and Declaration of conformity (de) 374 kB, 31.10.2018

Code: mrl_edrrs_de

Operating instructions and Declaration of conformity (fr) 398 kB, 06.12.2018

Code: mrl_edrrs_fr

Operating instructions and Declaration of conformity (jp) 643 kB, 15.09.2014

Code: mrl_edrrs_jp

Operating instructions and Declaration of conformity (it) 394 kB, 17.12.2018

Code: mrl_edrrs_it

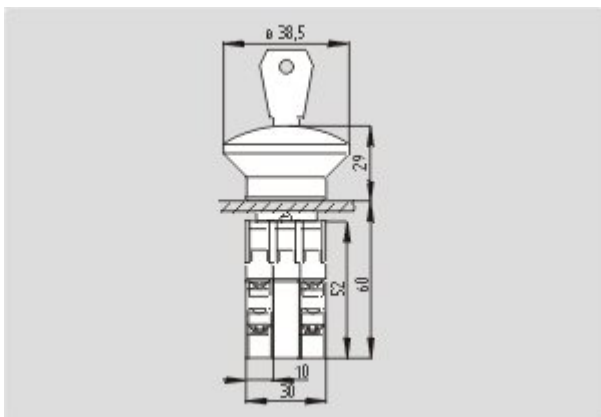
Operating instructions and Declaration of conformity (en) 400 kB, 31.10.2018

Code: mrl_edrrs_en

Images



Product photo



Dimensional drawing (basic component)

System components

Product



103006489 - EFR.EDRRS

- Spring element
 - Earth connection
-

contact element



101144564 - EF 220.1

- Screw connection
 - Mounting flange position 1
 - 11-12; 21-22 (Contact labelling)
-



101144565 - EF 220.2

- Screw connection
 - Mounting flange position 2
 - 31-32; 41-42 (Contact labelling)
-



EF 220F.1

- Flat plug-in connector
 - Mounting flange position 1
 - 11-12; 21-22 (Contact labelling)
-



EF 220F.2

- Flat plug-in connector
 - Mounting flange position 2
 - 31-32; 41-42 (Contact labelling)
-



101144566 - EF 303.1

- Screw connection
 - Mounting flange position 1
 - 23-24; 11-12 (Contact labelling)
-



101144567 - EF 303.2

- Screw connection
 - Mounting flange position 2
 - 43-44; 31-32 (Contact labelling)
-

EF 303F.1



- Flat plug-in connector
- Mounting flange position 1
- 23-24; 11-12 (Contact labelling)



EF 303F.2

- Flat plug-in connector
- Mounting flange position 2
- 43-44; 31-32 (Contact labelling)

K.A. Schmersal GmbH & Co. KG, Möddinghofe 30, D-42279 Wuppertal

The data and values have been checked thoroughly. Technical modifications and errors excepted.

Generiert am 13.02.2019 - 13:00:40h Kasbase 3.3.0.F.64l