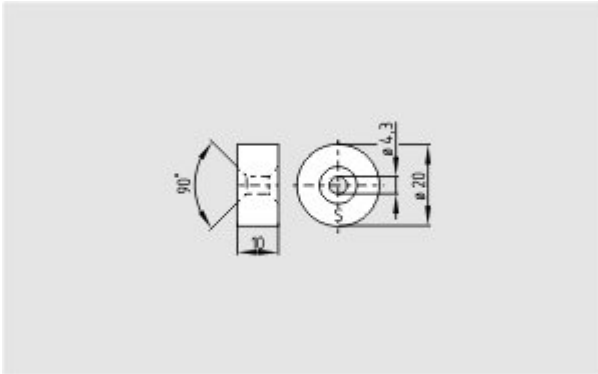


Datasheet - BP 15/2

Magnetic reed switch / Actuator

 Preferred typ

(Minor differences between the printed image and the original product may exist!)

- Unenclosed
- Polarity stamped in
- Suitable for mounting on ferrous material with a distance of 18 mm

Ordering details

Product type description	BP 15/2
Article number	101060165
EAN Code	4030661039602
eCl@ss	27-27-92-17

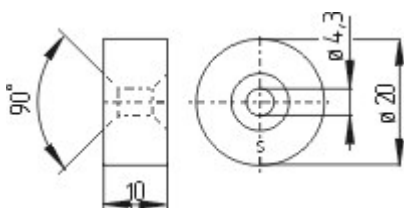
Global Properties

Permanent light	Magnet
Weight	13
Special characteristics	Unenclosed

Dimensions

Dimensions of the actuators	
- Width of the actuator	10
- Diameter of the actuator	20

Images



Dimensional drawing (miscellaneous)