

Datasheet - ZSD-H

Enabling device / ZSD / Accessories



- Mounting bracket for a safe on-site storage of the enabling switch



(Minor differences between the printed image and the original product may exist!)

Ordering details

Product type description	ZSD-H
Article number	101163725
EAN Code	
eCl@ss	27-37-12-81

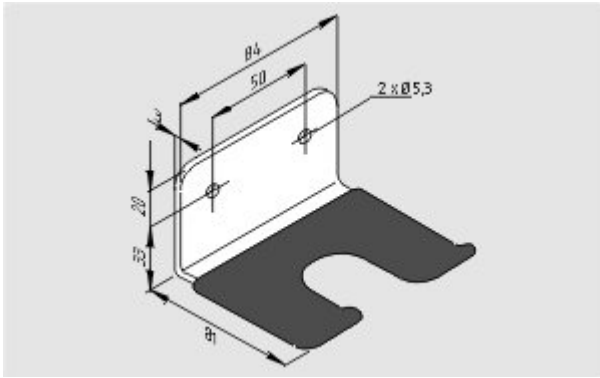
Global Properties

Permanent light	Haltewinkel
Weight	222

Dimensions

Dimensions	
- Width	84 mm
- Height	53 mm
- Depth	81 mm

Images



Dimensional drawing (basic component)

K.A. Schmersal GmbH & Co. KG, Möddinghofe 30, D-42279 Wuppertal

The data and values have been checked thoroughly. Technical modifications and errors excepted.

Generiert am 13.02.2019 - 13:00:45h Kasbase 3.3.0.F.64I