

Datasheet - MR 461-22Y



Position switch / medium heavy Position switch / T/M 461 - (T 461 M 461) / 461 Roller plunger
R



- Metal enclosure
- 118 mm x 155 mm x 64 mm (basic component)
- Actuator can be repositioned by 90°
- 2 cable entries M 20 x 1.5

(Minor differences between the printed image and the original product may exist!)

Ordering details


Product type description	MR 461-22Y
Article number	101058853
EAN Code	4030661034027
eCl@ss	27-27-06-01

Approval

Approval



Global Properties

Permanent light	461 Rollendruckbolzen R
Standards	EN 60947-5-1
Compliance with the Directives (Y/N) 	Yes
Suitable for safety functions (Y/N)	No
Standard housing (Y/N)	No
Materials	
- Material of the housings	cast iron, galvanized
- Roller material	Plastic
- Material of the contacts	Silver

Housing coating	painted
Weight	1955
Slide form	Castor

Mechanical data

Design of electrical connection	Screw connection
Cable section	
- Min. Cable section	1.5
- Max. Cable section	2.5
AWG-Number	13
Active principle	mechanical
Mechanical life	5.000.000 operations
notice	All indications about the cable section are including the conductor ferrules.
Design of actuating element	Roller plunger
Bounce duration	≤ 5
Switchover time	≤ 35
Contact opening	2 x 2.5
Actuating speed with vertical actuating angle to switch axis	
- Min. Actuating speed	1
- Max. Actuating speed	0,5
- Actuating angle from left of switch axis	30
- Actuating angle from right of switch axis	30

Ambient conditions

Ambient temperature	
- Min. environmental temperature	-30
- Max. environmental temperature	+90
Protection class	IP65 to IEC/EN 60529

Electrical data

Design of control element	Normally open contact (NO) Opener (NC)
- with double break	
Switching principle	Snap switch element
Number of shutters	2
Number of openers	2
Rated impulse withstand voltage	4
Rated insulation voltage	250
Thermal test current	16 A
Utilisation category	AC-15: 230 V / 4 A
Max. fuse rating	16 A gG D-fuse

Dimensions

Dimensions of the sensor	
- Width of sensor	118
- Height of sensor	201
- Length of sensor	64
Roller wide	6.5
Roller diameter	25

Ordering suffix

The applicable ordering suffix is added at the end of the part number of the safety switch.

Order example: MR 461-22Y- **1276-2**

...- **1276-2**

gold-plated contacts

...-**RMS**

Available with metal roller

Documents

Operating instructions and Declaration of conformity (nl) 95 kB, 20.07.2018

Code: mrlk_posi-allgemein_nl

Operating instructions and Declaration of conformity (ru) 133 kB, 09.07.2018

Code: mrlk_posi-allgemein_ru

Operating instructions and Declaration of conformity (es) 88 kB, 09.07.2018

Code: mrlk_posi-allgemein_es

Operating instructions and Declaration of conformity (en) 86 kB, 09.07.2018

Code: mrlk_posi-allgemein_en

Operating instructions and Declaration of conformity (cn) 138 kB, 09.07.2018

Code: mrlk_posi-allgemein_cn

Operating instructions and Declaration of conformity (it) 86 kB, 09.07.2018

Code: mrlk_posi-allgemein_it

Operating instructions and Declaration of conformity (jp) 285 kB, 09.07.2018

Code: mrlk_posi-allgemein_jp

Operating instructions and Declaration of conformity (pl) 118 kB, 09.07.2018

Code: mrlk_posi-allgemein_pl

Operating instructions and Declaration of conformity (fr) 85 kB, 09.07.2018

Code: mrlk_posi-allgemein_fr

Operating instructions and Declaration of conformity (pt) 86 kB, 09.07.2018

Code: mrlk_posi-allgemein_pt

Operating instructions and Declaration of conformity (de) 88 kB, 09.07.2018

Code: mrlk_posi-allgemein_de

Declaration of conformity (de) 94 kB, 08.08.2016

Code: __422p01

Declaration of conformity (pl) 129 kB, 08.08.2016

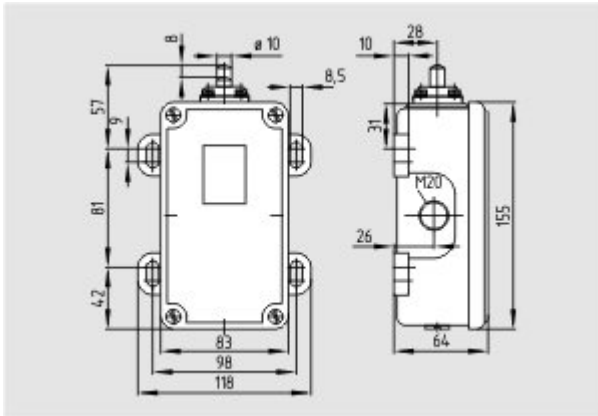
Code: __422p01_pl

Declaration of conformity (en) 84 kB, 29.11.2018

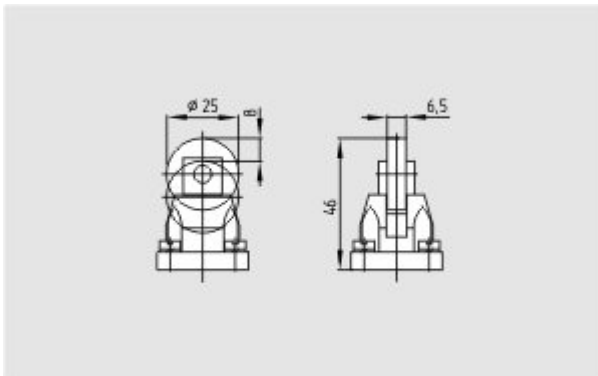
Code: __422p01_en

EAC certification (ru) 388 kB, 20.01.2016

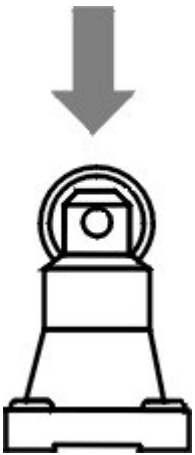
Images



Dimensional drawing (basic component)



Dimensional drawing (miscellaneous)



Operating principle
