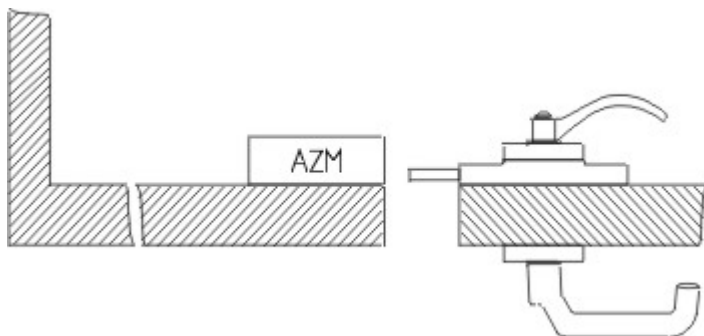


## Datasheet - AZM 415-STS30-01

Solenoid interlock / AZM 415 / Door-handle system STS / AZM 415-STS30



Preferred typ



- Latching handle
- Suitable for all types of guard
- einsetzbar in Verbindung mit EX-AZM 415

(Minor differences between the printed image and the original product may exist!)

### Ordering details

Product type description	AZM 415-STS30-01
Article number	101175493
EAN Code	4030661305448
eCl@ss	27-27-92-16

### Global Properties

Permanent light	AZM 415-STS30
Weight	1735

### Mechanical data

emergency handle (Y/N)	Yes
Shearing force	30000 N
Actuator mounted	inside
Door hinge	right

### notice

The drawings are always shown with a view to the switch.

For actuators mounted on the inside, mounting plate MP TG-01 must be used to fix the door handle to the profile.

### Included in delivery

Mounting plate for safety switch  
Actuator including mounting plate  
with emergency handle

### Documents

**Operating instructions and Declaration of conformity (es)** 480 kB, 24.09.2018

Code: mrl\_az-azm-sts30\_es

**Operating instructions and Declaration of conformity (it)** 480 kB, 24.09.2018

Code: mrl\_az-azm-sts30\_it

**Operating instructions and Declaration of conformity (de)** 482 kB, 24.09.2018

Code: mrl\_az-azm-sts30\_de

**Operating instructions and Declaration of conformity (fr)** 481 kB, 24.09.2018

Code: mrl\_az-azm-sts30\_fr

**Operating instructions and Declaration of conformity (cn)** 571 kB, 24.09.2018

Code: mrl\_az-azm-sts30\_cn

**Operating instructions and Declaration of conformity (da)** 555 kB, 26.01.2012

Code: mrl\_az-azm-sts30\_da

**Operating instructions and Declaration of conformity (pl)** 525 kB, 24.09.2018

Code: mrl\_az-azm-sts30\_pl

**Operating instructions and Declaration of conformity (jp)** 576 kB, 24.09.2018

Code: mrl\_az-azm-sts30\_jp

**Operating instructions and Declaration of conformity (pt)** 481 kB, 24.09.2018

Code: mrl\_az-azm-sts30\_pt

**Operating instructions and Declaration of conformity (en)** 495 kB, 24.09.2018

Code: mrl\_az-azm-sts30\_en

**Operating instructions and Declaration of conformity (nl)** 480 kB, 24.09.2018

Code: mrl\_az-azm-sts30\_nl

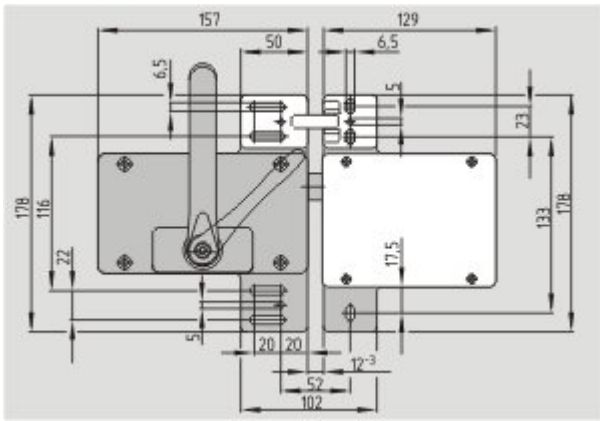
## Images

---



Product photo

---



Dimensional drawing (basic component)

K.A. Schmersal GmbH & Co. KG, Mödinghofe 30, D-42279 Wuppertal

The data and values have been checked thoroughly. Technical modifications and errors excepted.

Generiert am 13.02.2019 - 14:48:38h Kasbase 3.3.0.F.64I