

## Datasheet - T1V10S 500L-33Z

Safety switch for hinged guards / Hinge safety switch / T.V10S 500



- Metal enclosure
- Good resistance to oil and petroleum spirit
- Actuator shaft can be turned 360°
- 110 mm x 110 mm x 84 mm
- 3-channel, alternating monitoring
- 2 Cable entry M 20 x 1.5

(Minor differences between the printed image and the original product may exist!)

### Ordering details

Product type description	T1V10S 500L-33Z
Article number	101143100
EAN Code	4030661127101
eCl@ss	27-27-26-01

### Approval

Approval



CCC

### Classification

Standards	EN ISO 13849-1
B10d Normally-closed contact (NC)	20.000.000
Mission time	20 Years
notice	$MTTF_d = \frac{B_{10d}}{0,1 \times n_{op}}$ $n_{op} = \frac{d_{op} \times h_{op} \times 3600 \text{ s/h}}{t_{cycle}}$

### Global Properties

Permanent light	T.V10S 500
Standards	EN 60947-5-1, BG-GS-ET-15
Materials	
- Material of the housings	Aluminium
- Material of the contacts	Silver
Housing coating	painted
Weight	719.5

## Mechanical data

---

Design of electrical connection	Screw connection
Cable entry M 20 x 1.5	2
Cable section	
- Min. Cable section	
- Max. Cable section	1 x 1.5 mm <sup>2</sup>
Design of actuating element	Other
Mechanical life	3.000.000 operations
Switching frequency	max. 1000 /h
notice	All indications about the cable section are including the conductor ferrules.
Shaft bore	Ø 10
Positive break angle	14 °
Positive break torque	15 Ncm
socket (Y/N)	Yes
Universal joint (Y/N)	No

## Ambient conditions

---

Ambient temperature	
- Min. environmental temperature	-25 °C
- Max. environmental temperature	+80 °C
Protection class	IP67

## Electrical data

---

Design of control element	Normally open contact (NO), Opener (NC)
Switching principle	Creep circuit element
Number of auxiliary contacts	4
Number of safety contacts	2
Rated impulse withstand voltage U <sub>imp</sub>	4 kV
Rated insulation voltage U <sub>i</sub>	250 V
Thermal test current I <sub>the</sub>	6 A
Utilisation category	AC-15: 230 V / 4 A, DC-13: 24 V / 1 A
Max. fuse rating	6 A gG D-fuse

## ATEX

---

Explosion protection categories for gases	None
Explosion protected category for dusts	None

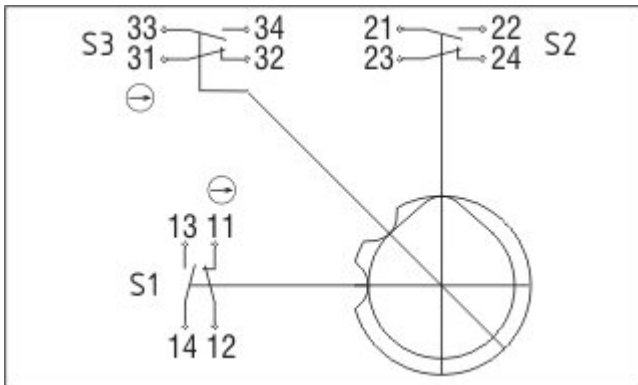
## Dimensions

---

Dimensions of the sensor

- Width of sensor	110 mm
- Height of sensor	110 mm
- Length of sensor	84 mm

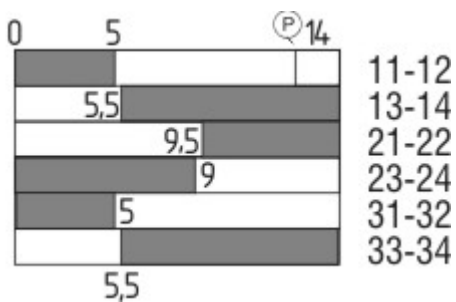
## Diagram



### Note Diagram

- positive break NC contact
- active
- no active
- Normally-open contact
- Normally-closed contact

## Switch travel diagram



### Notes Switch travel diagram

- Contact closed
- Contact open
- Setting range
- Break point
- Positive opening sequence/- angle
- VS** adjustable range of NO contact
- VÖ** adjustable range of NC contact
- N** after travel

## Ordering code

T(1)V10S 500L-(2)Z

(1)

without

1

(2)

22

with universal joint

with socket

2 Normally open contact (NO) / 2 Opener (NC)

## Documents

---

**Operating instructions and Declaration of conformity** (da) 243 kB, 18.06.2013

Code: mrl\_tv10s500\_da

**Operating instructions and Declaration of conformity** (es) 281 kB, 21.12.2017

Code: mrl\_tv10s500\_es

**Operating instructions and Declaration of conformity** (pt) 282 kB, 31.01.2018

Code: mrl\_tv10s500\_pt

**Operating instructions and Declaration of conformity** (fr) 285 kB, 28.11.2017

Code: mrl\_tv10s500\_fr

**Operating instructions and Declaration of conformity** (nl) 281 kB, 13.08.2018

Code: mrl\_tv10s500\_nl

**Operating instructions and Declaration of conformity** (jp) 993 kB, 22.09.2011

Code: mrl\_tv10s500\_jp

**Operating instructions and Declaration of conformity** (de) 263 kB, 14.11.2017

Code: mrl\_tv10s500\_de

**Operating instructions and Declaration of conformity** (pl) 309 kB, 23.03.2018

Code: mrl\_tv10s500\_pl

**Operating instructions and Declaration of conformity** (it) 281 kB, 28.11.2017

Code: mrl\_tv10s500\_it

**Operating instructions and Declaration of conformity** (en) 283 kB, 14.11.2017

Code: mrl\_tv10s500\_en

**CCC certification** (en) 577 kB, 12.12.2006

Code: q\_349p02

**CCC certification** (cn) 609 kB, 12.12.2006

Code: q\_349p03

## Images

---

