

Datasheet - BN 85-5-2031

Magnetic reed switch / BN 85-5



Preferred typ



(Minor differences between the printed image and the original product may exist!)

- Enclosure with mounting slots
- Non-contact principle
- Actuation from front
- 5 reed contacts
- Long life
- LED switching conditions display
- connector
- Thermoplastic enclosure
- Reed-contact to clip-in, on-location assembly


Ordering details

Product type description	BN 85-5-2031
Article number	101118378
EAN Code	4030661050058
eCl@ss	27-27-01-04

Approval

Approval	-
----------	---

Global Properties

Permanent light	BN 85-5
Standards	-
Compliance with the Directives (Y/N) 	Yes
suitable for elevators (Y/N)	Yes
Mounting	Enclosure with mounting slots
Active principle	Magnetic drive
Materials	
- Material of the housings	Plastic, glass-fibre reinforced thermoplastic
Housing construction form	rectangular
Weight	106
Recommended actuator	BP 7
- Lift switchgear	BP 7

Mechanical data

Design of electrical connection	connector, 10-pole
Mechanical life	1.000.000.000 operations
Electrical lifetime	500.000.000 operations
Actuating planes	front side
Switch distance	1 ... 14
- notice	The specifications with regard to the switching distances apply to the actuation of the individually mounted devices without ferromagnetic influence. Any change of the distance, positive either negative, is possible due to ferromagnetic interference. When multiple actuating magnets are used, the mutual interference must be observed.
Type of actuation	Magnet
resistance to shock	60 g, on sine wave oscillation
Latching (Y/N)	Yes

Ambient conditions

Ambient temperature	
- Min. environmental temperature	-10
- Max. environmental temperature	+75
Protection class	IP30 to IEC/EN 60529

Electrical data

Design of control element	bistable contact
Number of snap-in contacts	1...5
Switching time - Close	2
Switching time - Open	0,07
Dielectric strength	400
Switching voltage	12...60
Switching current	1 A
Switching capacity	30

Outputs

Design of control output	Reed kontakts
--------------------------	---------------

LED switching conditions display

LED switching conditions display (Y/N)	Yes
--	-----

ATEX

Explosion protection categories for gases	None
Explosion protected category for dusts	None

Dimensions

Dimensions of the sensor	
- Width of sensor	65
- Height of sensor	20
- Length of sensor	140

notice

The opening and closing functions depend on the direction of actuation, the actuating magnets and the polarity of the actuating magnets.

Included in delivery

Actuators must be ordered separately.

Documents

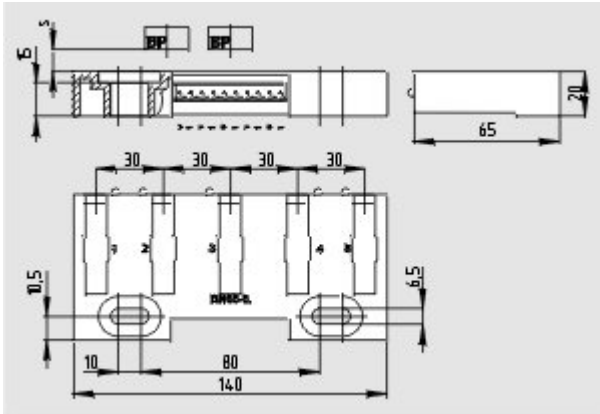
Operating instructions (de) 165 kB, 18.12.2018

Code: mrl_bn85-5_de

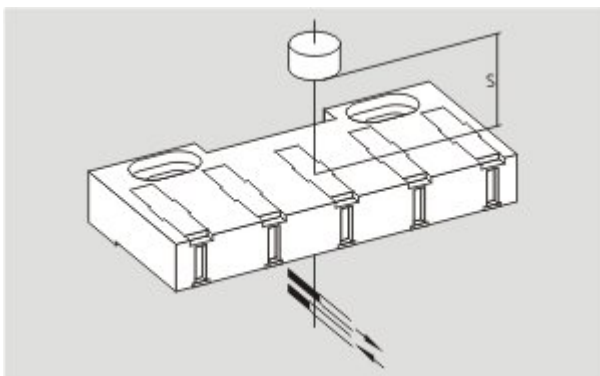
Operating instructions (en) 168 kB, 18.12.2018

Code: mrl_bn85-5_en

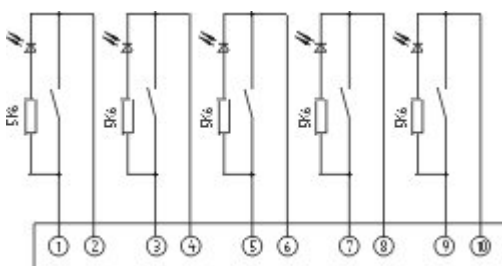
Images



Dimensional drawing (basic component)



Dimensional drawing (miscellaneous)



Diagram

K.A. Schmersal GmbH & Co. KG, Möddinghofe 30, D-42279 Wuppertal

The data and values have been checked thoroughly. Technical modifications and errors excepted.

Generiert am 13.02.2019 - 13:13:06h Kasbase 3.3.0.F.64I