

## Datasheet - TESK-SU-12L2-3M

Safety switch for hinged guards / Hinge safety switch / TESK



- Metal enclosure
- cable above
- Adjustable switching angle
- pre-set for interior fitting
- Standard hinge

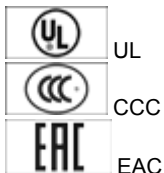
(Minor differences between the printed image and the original product may exist!)

### Ordering details

Product type description	TESK-SU-12L2-3M
Article number	103005762
EAN Code	
eCl@ss	27-27-26-01

### Approval

Approval




### Classification

B10d Normally-closed contact (NC)	2.000.000
B10d Normally open contact (NO)	1.000.000
Mission time	20 Years
Switching frequency c	1200/h
Standards	EN ISO 13849-1
notice	$MTTF_d = \frac{B_{10d}}{0,1 \times n_{op}}$ $n_{op} = \frac{d_{op} \times h_{op} \times 3600 \text{ s/h}}{t_{cycle}}$

## Global Properties

---

Permanent light	TESK
Standards	EN 60947-5-1, BG-GS-ET-15
Compliance with the Directives (Y/N) 	Yes
Materials	
Material of the housings	zinc die-cast
Material of the contacts	Silver-nickel alloy 10
Enclosure color	Silver
Weight	

## Mechanical data

---

Design of electrical connection	cable
Cable length	3
Cable section	
- Min. Cable section	0,5
- Max. Cable section	1
Mechanical life	> 1.000.000 operations
notice	All indications about the cable section are including the conductor ferrules.
additional hinge (Y/N)	No
Adjustable switching angle (Y/N)	Yes
Alignment aid (Y/N)	Yes
Mounting inside (Y/N)	Yes
Mounting outside (Y/N)	No

## Ambient conditions

---

Ambient temperature	
Min. environmental temperature	-25
Max. environmental temperature	+65
Protection class	IP65

## Electrical data

---

Design of control element	Normally open contact (NO), Opener (NC)
Switching principle	Creep circuit element
Number of auxiliary contacts	1
Number of safety contacts	2
Rated impulse withstand voltage	2.5
Rated insulation voltage	300
Thermal test current I <sub>the</sub>	2.5 A
Utilisation category	AC-15: 230 V / 2 A DC-13: 24 V / 1 A
Max. fuse rating	2 A gG D-fuse
Switching of low voltages	1 mA / 3 VDC

## ATEX

---

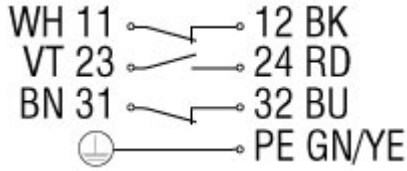
Explosion protection categories for gases	None
Explosion protected category for dusts	None

## Dimensions

Dimensions of the sensor

- Width of sensor	78
- Height of sensor	116
- Length of sensor	20

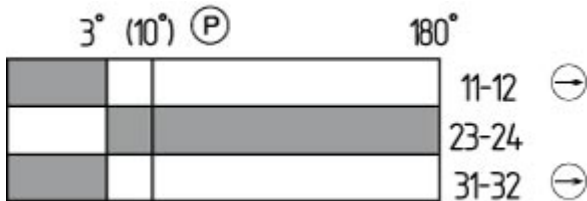
Diagram



Note Diagram

- positive break NC contact
- active
- no active
- Normally-open contact
- Normally-closed contact

Switch travel diagram



Notes Switch travel diagram

- Contact closed
- Contact open
- Setting range
- Break point
- Positive opening sequence/- angle
- VS** adjustable range of NO contact
- VÖ** adjustable range of NC contact
- N** after travel

Ordering code

TESK-(1)-(2)-(3)-(4)-(5)

(1)

S

L

(2)

A

I

U

(3)

22

12

13

adjustable switching angle

2 Normally open contact (NO) / 2 Opener (NC)

1 Normally open contact (NO) / 2 Opener (NC)

1 Normally open contact (NO) / 3 Opener (NC)

02	2 Opener (NC)
11	1 Normally open contact (NO) / 1 Opener (NC)
(4)	
L1	cable bottom
L2	cable above
ST1	connector plug bottom
ST2	connector plug above
(5)	
3M	Cable length 3 m (only for L1 / L2)
5M	Cable length 5 m ( only for L1 / L2)
10M	Cable length 10 m ( only for L1 / L2)
20M	Cable length 20 m ( only for L1 / L2)
30M	Cable length 30 m ( only for L1 / L2)

## Documents

---

**Operating instructions and Declaration of conformity** (it) 1 MB, 09.10.2018

Code: mrl\_tesk\_it

**Operating instructions and Declaration of conformity** (en) 1 MB, 09.10.2018

Code: mrl\_tesk\_en

**Operating instructions and Declaration of conformity** (jp) 1 MB, 09.10.2018

Code: mrl\_tesk\_jp

**Operating instructions and Declaration of conformity** (fr) 1 MB, 09.10.2018

Code: mrl\_tesk\_fr

**Operating instructions and Declaration of conformity** (pt) 1 MB, 09.10.2018

Code: mrl\_tesk\_pt

**Operating instructions and Declaration of conformity** (pl) 1 MB, 09.10.2018

Code: mrl\_tesk\_pl

**Operating instructions and Declaration of conformity** (es) 1 MB, 09.10.2018

Code: mrl\_tesk\_es

**Operating instructions and Declaration of conformity** (de) 1 MB, 09.10.2018

Code: mrl\_tesk\_de

**Operating instructions and Declaration of conformity** (nl) 1 MB, 09.10.2018

Code: mrl\_tesk\_nl

**Brochure** (en) 641 kB, 12.11.2013

Code: b\_tesp01\_en

**Brochure** (pt) 641 kB, 10.12.2013

Code: b\_tesp01\_pt

**Brochure** (cs) 675 kB, 01.09.2014

Code: b\_tesp01\_cs

**Brochure** (nl) 671 kB, 10.02.2014

Code: b\_tesp01\_nl

**Brochure** (it) 639 kB, 26.11.2013

Code: b\_tesp01\_it

**Brochure** (jp) 750 kB, 26.06.2014

Code: b\_tesp01\_jp

**Brochure** (es) 658 kB, 24.11.2014

Code: b\_tesp01\_es

**Brochure** (de) 645 kB, 12.11.2013

Code: b\_tesp01\_de

**Brochure** (fr) 641 kB, 26.11.2013

Code: b\_tesp01\_fr

**CCC certification** (cn) 107 kB, 20.02.2015

Code: q\_tesp02

**CCC certification** (en) 115 kB, 20.02.2015

Code: q\_tesp01

**EAC certification** (ru) 844 kB, 05.10.2015

Code: q\_6037p17\_ru

**notice** (en) 475 kB, 07.08.2017

Code: s\_tesp02

**notice** (de) 513 kB, 07.08.2017

Code: s\_tesp01

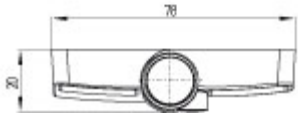
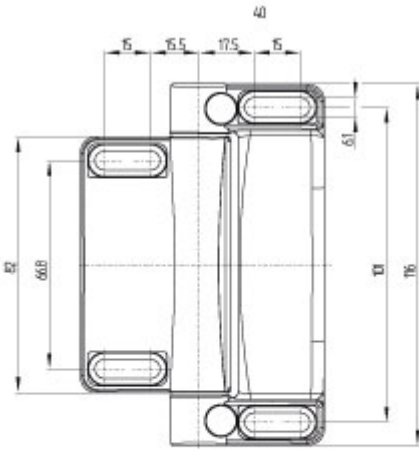
## Images

---



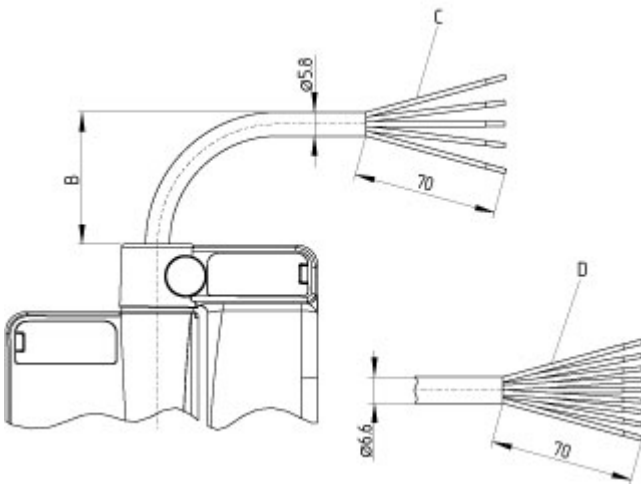
Product photo

---



Dimensional drawing (basic component)

---



Dimensional drawing (miscellaneous)

---