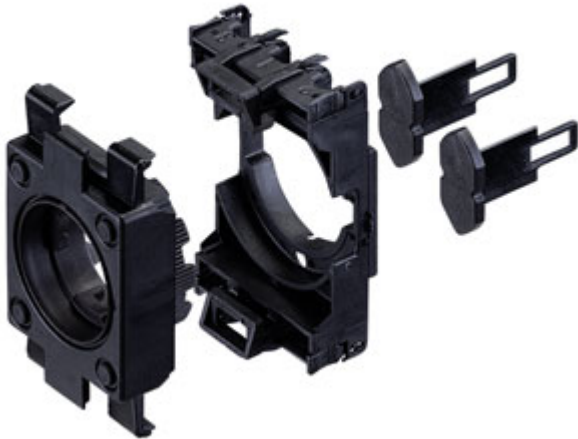


## Datasheet - RLM

Command and signalling devices / Contact and light terminal blocks (EF/EL) System /  
mounting flange / mounting flange / mounting flange (R)



(Minor differences between the printed image and the original product may exist!)

### Ordering details

Product type description	RLM
Article number	101188815
EAN Code	
notice	Mounting flange for illuminated devices of the series R and E
eCl@ss	

### Global Properties

Permanent light	Befestigungsflansch (R)
Mounting position	arbitrarily
Materials	
- Material of the housings	
Construction form	Front plate mounting
- Color mounting flange	Black
Color	
Weight	5

### Mechanical data

Tightening torque for the terminals	2
Front plate thickness	
- min. front plate thickness	1
- max. front plate thickness	6

## Ambient conditions

---

### Ambient temperature

- Min. environmental temperature	-25
- Max. environmental temperature	+75

## Dimensions

---

### Dimensions

- Width	30
- Height	25
- Length	50
Spacing	50 x 50

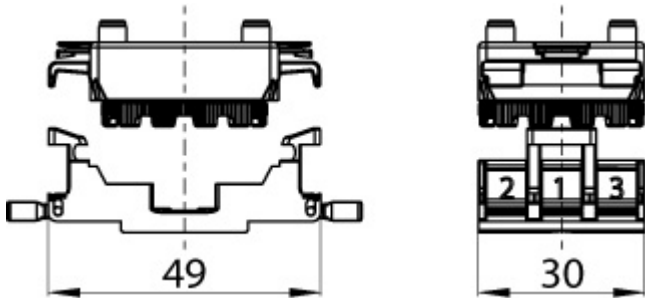
## Included in delivery

---

Fastening flange RLM consisting of: mounting flange and contact carrier with contact fuses and 2 plunger segments

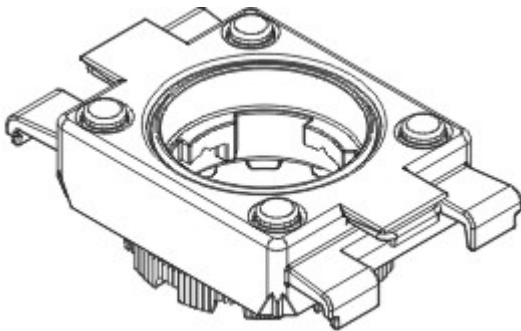
## Images

---



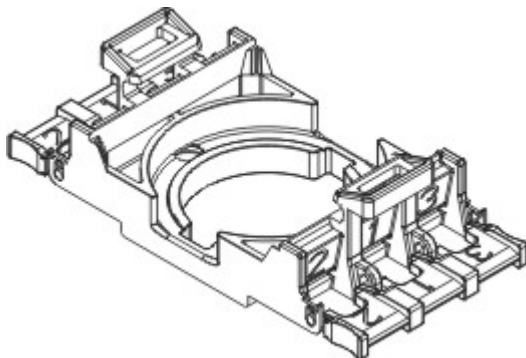
Dimensional drawing (basic component)

---



Product graph

---



Product graph

---

The data and values have been checked thoroughly. Technical modifications and errors excepted.  
Generiert am 13.02.2019 - 12:47:56h Kasbase 3.3.0.F.64I