

## Datasheet - AV 21LX30U

Door locking devices / AV 21



(Minor differences between the printed image and the original product may exist!)

- for 1-leaf doors
- left-hand model
- without Fail-safe locking system
- Thermoplastic enclosure
- for elevator plants without passenger transportation
- Manual release by means of M5 triangular key

### Ordering details


|                          |               |
|--------------------------|---------------|
| Product type description | AV 21LX30U    |
| Article number           | 101133945     |
| EAN Code                 | 4030661053172 |
| eCl@ss                   | 27-27-26-03   |

### Approval

Approval



### Global Properties

|  |  |
|--|--|
| Permanent light  | AV 21  |
| Standards  | EN 81-20, EN 81-50                                       |
| Compliance with the Directives (Y/N)  | Yes  |
| Suitable for safety functions (Y/N)  | Yes  |
| Mounting   | rear-side mounting holes                                 |
| Number of door leaves  | 1  |
| Materials  |  |
| - Material of the housings   | glass-fibre reinforced thermoplastic, self-extinguishing |
| - Material of the contacts   | Silver   |
| - Locking bolt material  | Brass  |
| Weight   | 490  |
| Latching bolt bevelling  | 45 bottom  |

### Mechanical data

|                                     |                     |
|-------------------------------------|---------------------|
| Cable entry                         | without cable gland |
| Design of actuating element         | Pull strap          |
| Orientation / Alignment             | left-hand model     |
| With fail-safe locking system (Y/N) | No                  |
| Manual release (Y/N)                | Yes                 |


## Ambient conditions

---

|                                  |      |
|----------------------------------|------|
| Ambient temperature              |      |
| - Min. environmental temperature | -15  |
| - Max. environmental temperature | +70  |
| Protection class                 | IP54 |

## Electrical data

---

|   |   |
|---|---|
| Design of control element   | Opener (NC), Normally open contact (NO)   |
| Switching principle   | Slow action                               |
| - positive break NC contact  |   |
| Number of auxiliary contacts  | 1   |
| Number of safety contacts   | 1   |
| Rated impulse withstand voltage   | 6   |
| Rated insulation voltage  | 500                                       |
| Thermal test current  | 10 A                                      |
| Utilisation category  | AC-15: 230 V / 2 A,<br>DC-13: 200 V / 2 A |
| Max. fuse rating  | 6 A (slow blow)                           |

## Dimensions

---

|                                    |      |
|------------------------------------|------|
| Dimensions                         |      |
| - Width                            | 165  |
| - Height                           | 80   |
| - Depth                            | 37.5 |
| Dimensions of the latching bolt    |      |
| - Diameter of the latching bolt    | 18   |
| - X-dimension of the latching bolt | 30   |

notice **X-dimension of the latching bolt:**  
The overall latching bolt length is the result of the prescribed insertion depth of the latching bolt into the door leaf of 21 mm and the X-dimension. The X-dimension is the distance between the enclosure bottom of the door locking and the door top.

## Accessories

---

|        |   |
|--------|---|
| notice | Manual release using triangular key M5 available as accessory |
|--------|---|

## Ordering suffix

---

The applicable ordering suffix is added at the end of the part number of the safety switch.

Order example: AV 21LX30U-**GB215**

|                   |   |
|-------------------|---|
| ...- <b>GB215</b> | additional front-side M8 mounting holes |
|-------------------|---|

## Ordering code

---

AV 21(1)(2)(3)(4)(5)(6)

(1)

|                |                            |
|----------------|----------------------------|
| <b>L</b>       | left-hand model            |
| <b>R</b>       | right-hand model           |
| <b>(2)</b>     |                            |
| <i>without</i> |                            |
| <b>H</b>       | Roller H65                 |
| <b>H92</b>     | Roller H92                 |
| <b>H105</b>    | Roller H105                |
| <b>B</b>       | Bearing block B            |
| <b>B2</b>      | Bearing block B2           |
| <b>(3)</b>     |                            |
| <i>without</i> | without cable gland        |
| <b>E4</b>      | cable gland M20            |
| <b>E1</b>      | Cable entry                |
| <b>(4)</b>     |                            |
| <b>X...</b>    | = 11, 5, 20, 30, 40, 45 mm |
| <b>(5)</b>     |                            |
| <b>U</b>       | 45° bottom                 |
| <b>D</b>       | 45° cover-side             |
| <b>L/R</b>     | 45° 1 x left / 1 x right,  |
| <b>(6)</b>     |                            |
| <b>GB215</b>   |                            |

## Documents

---

**Operating instructions and Declaration of conformity** (nl) 435 kB, 26.06.2018

Code: mrl\_av15\_nl

**Operating instructions and Declaration of conformity** (pt) 419 kB, 08.03.2017

Code: mrl\_av15\_pt

**Operating instructions and Declaration of conformity** (pl) 433 kB, 17.02.2017

Code: mrl\_av15\_pl

**Operating instructions and Declaration of conformity** (de) 404 kB, 06.12.2016

Code: mrl\_av15\_de

**Operating instructions and Declaration of conformity** (es) 418 kB, 12.01.2017

Code: mrl\_av15\_es

**Operating instructions and Declaration of conformity** (cn) 501 kB, 11.05.2017

Code: mrl\_av15\_cn

**Operating instructions and Declaration of conformity** (en) 616 kB, 18.10.2016

Code: mrl\_av15\_en

**Operating instructions and Declaration of conformity** (it) 418 kB, 12.01.2017

Code: mrl\_av15\_it

**Operating instructions and Declaration of conformity** (fr) 422 kB, 12.01.2017

Code: mrl\_av15\_fr

**Operating instructions and Declaration of conformity** (jp) 506 kB, 22.08.2017

Code: mrl\_av15\_jp

**BG-test certificate** (de) 1 MB, 02.06.2017

Code: \_av21p01

**BG-test certificate** (en) 247 kB, 12.05.2016

Code: \_av21p02

**EAC certification** (ru) 2 MB, 03.12.2018

Code: q\_0010p17\_ru

**notice** (es) 1 MB, 09.02.2012

Code: s\_aufp01\_es

**notice** (en) 487 kB, 09.02.2012

Code: s\_aufp01\_en

**notice** (fr) 1 MB, 09.02.2012

Code: s\_aufp01\_fr

**notice** (it) 1 MB, 09.02.2012

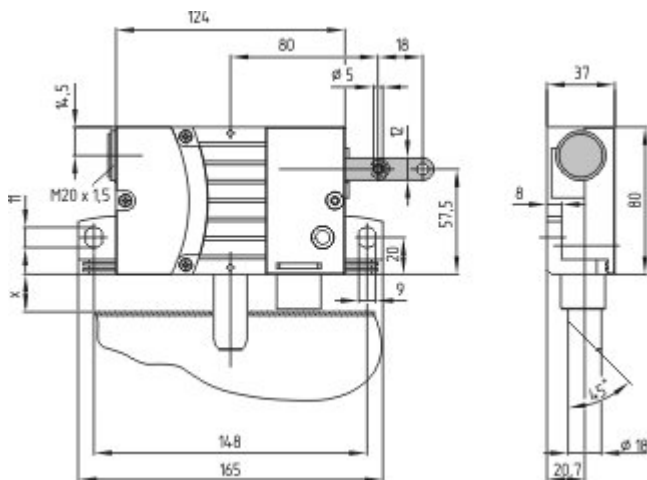
Code: s\_aufp01\_it

**notice** (de) 1 MB, 09.02.2012

Code: s\_aufp01\_de

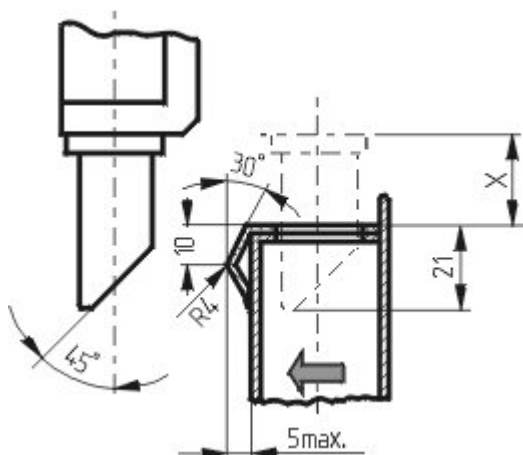
## Images

---

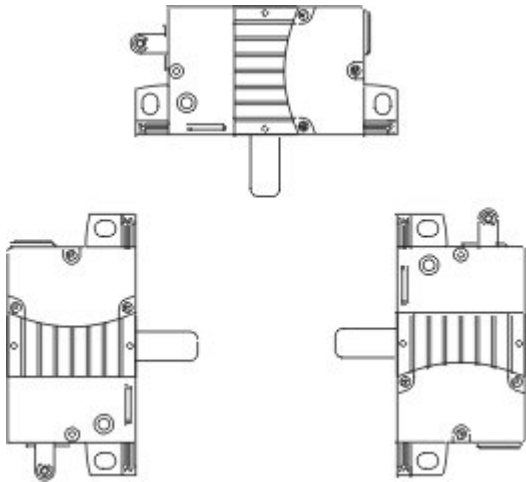


Dimensional drawing (basic component)

---



Assembly example



Graphs (other)

---

K.A. Schmersal GmbH & Co. KG, Möddinghofe 30, D-42279 Wuppertal

The data and values have been checked thoroughly. Technical modifications and errors excepted.

Generiert am 13.02.2019 - 12:59:59h Kasbase 3.3.0.F.64l