

## Datasheet - SE-P40-1250

Safety-related tactile sensor / Safety edges / SE-P40



Preferred typ

- Dirt and moisture in the profile are to a great extent compensated
- Insensitive to environmental conditions
- approx. 40 mm high



(Minor differences between the printed image and the original product may exist!)

### Ordering details

Product type description	SE-P40-1250
Article number	101172155
EAN Code	4030661300184

A safety edge system consists of individual components.  
The components must be ordered separately.

Example:

Rubber profile, SE-P40-1250  
Al profile, SE-AL 10-1250  
Emitter/ Receiver SE-SET  
Safety-monitoring module, SE-304 C

Options:

Caps SE-T40; Sticker SE-G8406  
Other accessories


eCl@ss 27-27-34-01

### Approval

Approval



### Global Properties

Permanent light	Gummiprofil SE-P40
Standards	EN ISO 13850
Compliance with the Directives (Y/N) 	Yes
Materials	
- Material of the rubber profile	EPDM, 65 Shore A
Resistant to chemicals of the rubber material	
- International abbreviation	EPDM, 65 Shore A
- Chemical name	Ethylene-propylene terpolymer
- Resilience at 20°C	Good
- Resistance against permanent deformation	Good
- General resistance against atmospheric conditions	Excellent
- Resistance against ozone	Excellent
- Resistance against oil	low
- Resistance against fuel	low
- Resistance against solvents	low to satisfactory
- General resistance against acids	Good
Weight	435
Coated profile (Y/N)	No

## Mechanical data

---

Mechanical life	20.000.000 operations
max. permanent load	500 on the operational switching zone
Response travel	max. 9 mm
After-travel	max. 18 mm

## Ambient conditions

---

Temperature resistance	
- min. Temperature resistance	-50 short duration -30 long duration
- max. Temperature resistance	+170 short duration +140 long duration
Protection class	IP67
notice	The protection class IP 67 applies to the entire signal transmitter.

## Dimensions

---

Dimensions	
- Width	25 mm
- Height	approx. 40 mm
- Length	1250 mm

## notice

---

If a higher resistance is required, choose safety edge profiles with 20 µm plastic coating. The coating must be submitted to low mechanical loads only.

In the extremities of the safety edge at approx. 60 mm (SE 40) or 50 mm (SE 70) finger guard is not guaranteed. Upon actuation of this area, the transmitter/receiver is pushed into the lower profile section and the switching signal is evaluated, but the required forces are high though.

If this restriction is not acceptable for the specific application, constructive measures must be taken.

## Ordering code

---

SE-P40 (1)-(2)-(3)

<b>(1)</b>	
<i>without</i>	Profile uncoated
<b>C</b>	Profile coated
<b>(2)</b>	
<i>without</i>	Material: EPDM, 65 Shore A
<b>NBR</b>	Material: perbunan® NBR
<b>(3)</b>	
<b>1250</b>	Length 1250 mm
<b>2500</b>	Length 2500 mm
<b>5000</b>	Length 5000 mm ( <i>Only for Profile uncoated</i> )
<b>10000</b>	Length 10000 mm ( <i>Only for Profile uncoated</i> )

## Documents

---

**Operating instructions and Declaration of conformity (jp)** 263 kB, 09.09.2014

Code: mrl\_se40-70\_jp

**Operating instructions and Declaration of conformity (fr)** 218 kB, 03.12.2014

Code: mrl\_se40-70\_fr

**Operating instructions and Declaration of conformity (it)** 219 kB, 28.08.2014

Code: mrl\_se40-70\_it

**Operating instructions and Declaration of conformity (de)** 205 kB, 29.07.2014

Code: mrl\_se40-70\_de

**Operating instructions and Declaration of conformity (cn)** 258 kB, 24.06.2015

Code: mrl\_se40-70\_cn

**Operating instructions and Declaration of conformity (es)** 221 kB, 28.08.2014

Code: mrl\_se40-70\_es

**Operating instructions and Declaration of conformity (nl)** 201 kB, 16.10.2014

Code: mrl\_se40-70\_nl

**Operating instructions and Declaration of conformity (en)** 203 kB, 29.07.2014

Code: mrl\_se40-70\_en

**Mounting and wiring instructions (de, en, fr)** 30 kB, 30.04.2009

Code: m\_se\_p03

**Force-travel diagram (en)** 106 kB, 14.08.2009

Code: k\_se\_p02

**Force-travel diagram (fr)** 81 kB, 14.08.2009

Code: k\_se\_p03

**Force-travel diagram (pt)** 73 kB, 14.08.2009

Code: k\_se\_p10

**Force-travel diagram (nl)** 72 kB, 14.08.2009

Code: k\_se\_p04

**Force-travel diagram (it)** 72 kB, 14.08.2009

Code: k\_se\_p05

**Force-travel diagram** (es) 72 kB, 14.08.2009

Code: k\_se\_p09

**Force-travel diagram** (de) 105 kB, 14.08.2009

Code: k\_se\_p01

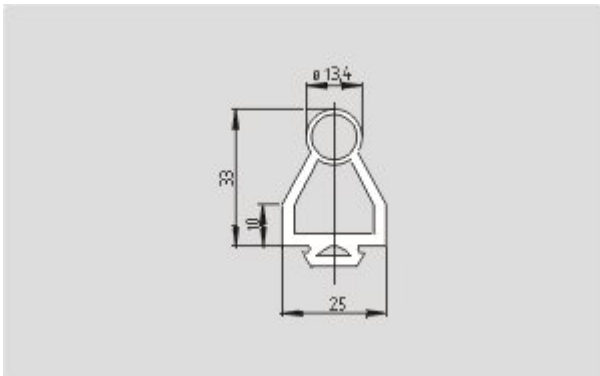
## Images

---



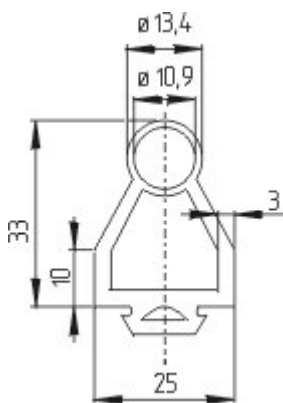
Product photo

---



Dimensional drawing (basic component)

---



Dimensional drawing (basic component)

---

K.A. Schmersal GmbH & Co. KG, Möddinghofe 30, D-42279 Wuppertal

The data and values have been checked thoroughly. Technical modifications and errors excepted.

Generiert am 13.02.2019 - 14:40:34h Kasbase 3.3.0.F.64I