

## Datasheet - AV 21RX30U

Door locking devices / AV 21



- for 1-leaf doors
- right-hand model
- without Fail-safe locking system
- Thermoplastic enclosure
- for elevator plants without passenger transportation
- Manual release by means of M5 triangular key

(Minor differences between the printed image and the original product may exist!)

### Ordering details


Product type description	AV 21RX30U
Article number	101133936
EAN Code	4030661053127
eCl@ss	27-27-26-03

### Approval

Approval



### Global Properties

Permanent light	AV 21
Standards	EN 81-20, EN 81-50
Compliance with the Directives (Y/N) 	Yes
Suitable for safety functions (Y/N)	Yes
Mounting	rear-side mounting holes
Number of door leaves	1
Materials	
- Material of the housings	glass-fibre reinforced thermoplastic, self-extinguishing
- Material of the contacts	Silver
- Locking bolt material	Brass
Weight	485
Latching bolt bevelling	45 bottom


### Mechanical data

Cable entry	without cable gland
Design of actuating element	Pull strap
Orientation / Alignment	right-hand model
With fail-safe locking system (Y/N)	No
Manual release (Y/N)	Yes

## Ambient conditions

Ambient temperature	
- Min. environmental temperature	-15
- Max. environmental temperature	+70
Protection class	IP54

## Electrical data

Design of control element	Opener (NC), Normally open contact (NO)
Switching principle	Slow action
- positive break NC contact 	
Number of auxiliary contacts	1
Number of safety contacts	1
Rated impulse withstand voltage	6
Rated insulation voltage	500
Thermal test current	10 A
Utilisation category	AC-15: 230 V / 2 A, DC-13: 200 V / 2 A
Max. fuse rating	6 A (slow blow)

## Dimensions

Dimensions	
- Width	165
- Height	80
- Depth	37.5
Dimensions of the latching bolt	
- Diameter of the latching bolt	18
- X-dimension of the latching bolt	30

notice

### X-dimension of the latching bolt:

The overall latching bolt length is the result of the prescribed insertion depth of the latching bolt into the door leaf of 21 mm and the X-dimension. The X-dimension is the distance between the enclosure bottom of the door locking and the door top.

## Accessories

notice	Manual release using triangular key M5 available as accessory
--------	---

## Ordering suffix

The applicable ordering suffix is added at the end of the part number of the safety switch.

Order example: AV 21RX30U-**GB215**

...-**GB215**

additional front-side M8 mounting holes

## Ordering code

---

AV 21(1)(2)(3)(4)(5)(6)

(1)

L left-hand model  
R right-hand model

(2)

*without*

H Roller H65  
H92 Roller H92  
H105 Roller H105  
B Bearing block B  
B2 Bearing block B2

(3)

*without*

E4 without cable gland  
E1 cable gland M20  
E1 Cable entry

(4)

X... = 11, 5, 20, 30, 40, 45 mm

(5)

U 45° bottom  
D 45° cover-side  
L/R 45° 1 x left / 1 x right,

(6)

GB215

## Documents

---

**Operating instructions and Declaration of conformity** (nl) 435 kB, 26.06.2018

Code: mrl\_av15\_nl

**Operating instructions and Declaration of conformity** (pt) 419 kB, 08.03.2017

Code: mrl\_av15\_pt

**Operating instructions and Declaration of conformity** (pl) 433 kB, 17.02.2017

Code: mrl\_av15\_pl

**Operating instructions and Declaration of conformity** (de) 404 kB, 06.12.2016

Code: mrl\_av15\_de

**Operating instructions and Declaration of conformity** (es) 418 kB, 12.01.2017

Code: mrl\_av15\_es

**Operating instructions and Declaration of conformity** (cn) 501 kB, 11.05.2017

Code: mrl\_av15\_cn

**Operating instructions and Declaration of conformity** (en) 616 kB, 18.10.2016

Code: mrl\_av15\_en

**Operating instructions and Declaration of conformity** (it) 418 kB, 12.01.2017

Code: mrl\_av15\_it

**Operating instructions and Declaration of conformity (fr)** 422 kB, 12.01.2017

Code: mrl\_av15\_fr

**Operating instructions and Declaration of conformity (jp)** 506 kB, 22.08.2017

Code: mrl\_av15\_jp

**BG-test certificate (de)** 1 MB, 02.06.2017

Code: \_av21p01

**BG-test certificate (en)** 247 kB, 12.05.2016

Code: \_av21p02

**EAC certification (ru)** 2 MB, 03.12.2018

Code: q\_0010p17\_ru

**notice (es)** 1 MB, 09.02.2012

Code: s\_aufp01\_es

**notice (en)** 487 kB, 09.02.2012

Code: s\_aufp01\_en

**notice (fr)** 1 MB, 09.02.2012

Code: s\_aufp01\_fr

**notice (it)** 1 MB, 09.02.2012

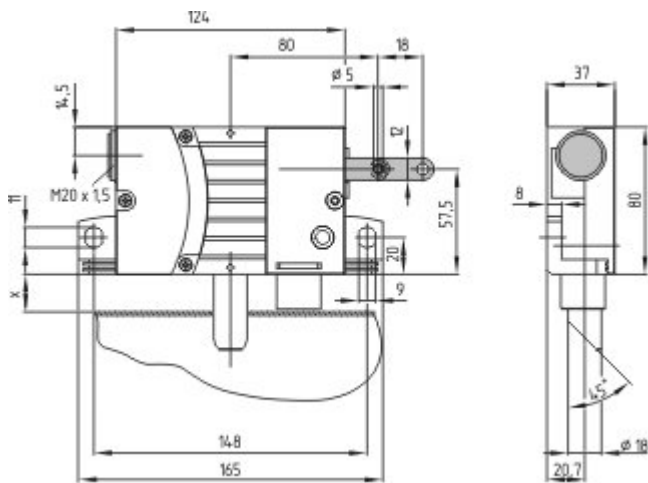
Code: s\_aufp01\_it

**notice (de)** 1 MB, 09.02.2012

Code: s\_aufp01\_de

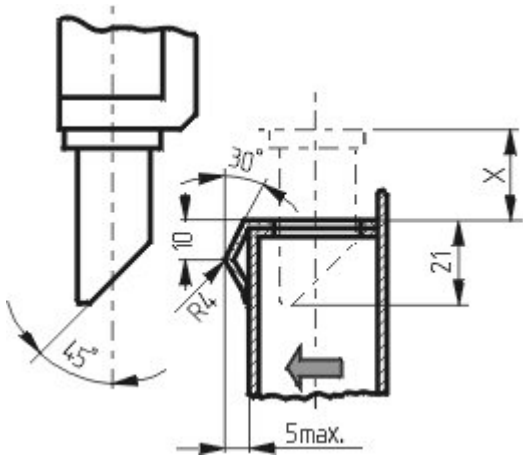
## Images

---

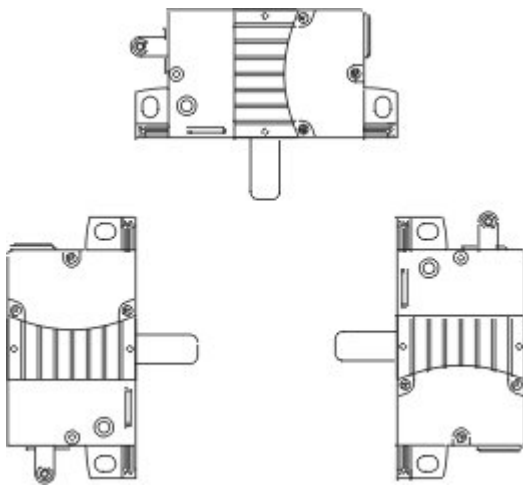


Dimensional drawing (basic component)

---



Assembly example



Graphs (other)

K.A. Schmersal GmbH & Co. KG, Mödinghofe 30, D-42279 Wuppertal

The data and values have been checked thoroughly. Technical modifications and errors excepted.

Generiert am 13.02.2019 - 13:00:02h Kasbase 3.3.0.F.64I