

Datasheet - BPS 33S

Safety sensors / BNS 33S / Actuator



Preferred typ



• Stainless steel enclosure

(Minor differences between the printed image and the original product may exist!)

Ordering details

Product type description	BPS 33S
Article number	101184326
EAN Code	4030661322223
eCl@ss	27-27-92-17

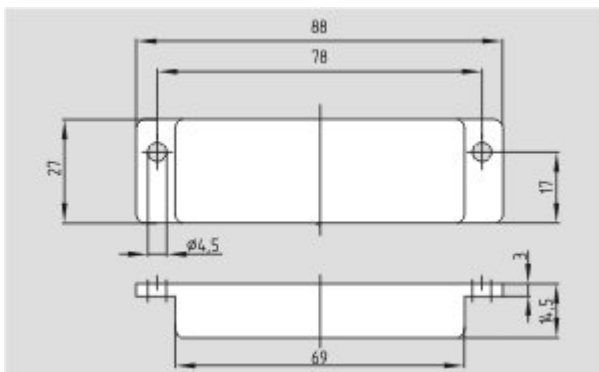
Global Properties

Permanent light	Magnet
Materials	
- Material of the housings	Stainless steel
Weight	125

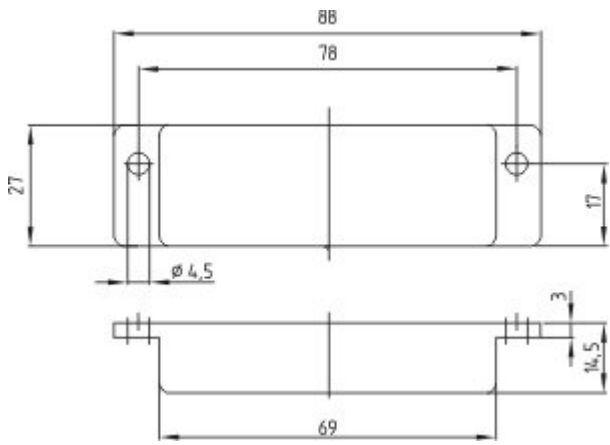
Dimensions

Dimensions of the actuators	
- Width of the actuator	88
- Height of the actuator	27
- Length of the actuator	14.5

Images



Dimensional drawing (actuator)



Dimensional drawing (actuator)

K.A. Schmersal GmbH & Co. KG, Möddinghofe 30, D-42279 Wuppertal
The data and values have been checked thoroughly. Technical modifications and errors excepted.
Generiert am 13.02.2019 - 14:25:59h Kasbase 3.3.0.F.64I