

## Datasheet - T4VH 336-20Z-1058



Position switch / 336 Thermoplastic enclosure - EN 50041 with Actuator / 336 Roller lever  
H-1058



- Lever angle adjustable in 10° steps
- Design to EN 50041
- Thermoplastic enclosure
- suitable for elevators
- Double-insulated
- Good resistance to oil and petroleum spirit
- Wide range of alternative actuators
- Actuator heads can be repositioned by 4 x 90°
- 1 Cable entry M 20 x 1.5
- Also available with large rubber roller

(Minor differences between the printed image and the original product may exist!)

### Ordering details

Product type description	T4VH 336-20Z-1058
Article number	101092719
EAN Code	4030661043234
eCl@ss	27-27-26-01

### Approval

Approval




### Classification

Standards	EN ISO 13849-1
B10d Normally-closed contact (NC)	20.000.000
Mission time	20 Years
notice	$MTTF_d = \frac{B_{10d}}{0,1 \times n_{op}}$ $n_{op} = \frac{d_{op} \times h_{op} \times 3600 \text{ s/h}}{t_{cycle}}$

## Global Properties

---

Permanent light	336 Rollenschwenkhebel H-1058
Standards	EN 60947-5-1, BG-GS-ET-15
Compliance with the Directives (Y/N) 	Yes
Suitable for safety functions (Y/N)	No
suitable for elevators (Y/N)	Yes
Actuator type	A to EN 50041
Materials	
- Material of the housings	Plastic, glass-fibre reinforced thermoplastic, self-extinguishing
- Lever material	Metal film
- Roller material	rubber
- Material of the contacts	Silver
Housing coating	None
Housing construction form	Norm construction design
Weight	185

## Mechanical data

---

Design of electrical connection	Screw connection
Cable section	
- Min. Cable section	0,75
- Max. Cable section	2.5
Mechanical life	30.000.000 operations
Switching frequency	max. 5000 /h
notice	All indications about the cable section are including the conductor ferrules.
Design of actuating element	Roller lever
actuating torque	31
Bounce duration	< 2
Switchover time	in accordance with actuating speed
Switching function	non-latching
Actuating speed with actuating angle 30° to switch axis	
- Min. Actuating speed	
- Max. Actuating speed	2.5

## Ambient conditions

---

Ambient temperature	
- Min. environmental temperature	-30 °C
- Max. environmental temperature	+80 °C
Protection class	IP67

## Electrical data

---

Design of control element	Normally open contact (NO)
Switching principle	Creep circuit element
Number of auxiliary contacts	2
Number of safety contacts	0
Rated impulse withstand voltage $U_{imp}$	6 kV
Rated insulation voltage $U_i$	500 V
Thermal test current $I_{the}$	10 A
Utilisation category	AC-15: 230 V / 4 A, DC-13: 24 V / 4 A
Required rated short-circuit current	1000 A

Max. fuse rating

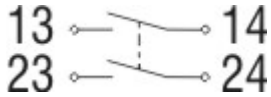
6 A gG D-fuse

## Dimensions




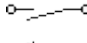
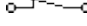
Dimensions of the sensor

- Width of sensor	40.5
- Height of sensor	144.5
- Length of sensor	38

## Diagram





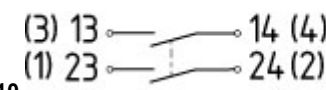

Note Diagram

-  positive break NC contact
-  active
-  no active
-  Normally-open contact
-  Normally-closed contact

## Ordering suffix

The applicable ordering suffix is added at the end of the part number of the safety switch.

Order example: T4VH 336-20Z-1058-NPT

...NPT	Cable entry NPT 1/2"
...-1637	0,3 µm gold-plated contacts
...-ST	  <p>M12 connector with A-coding Rated impulse withstand voltage <math>U_{imp}</math>: 0,8 kV Rated insulation voltage <math>U_i</math>: 50 V Operating current <math>I_e</math>: AC-15 50 V / 4 A Caution! The versions with connector may only be used in PELV circuits to EN 60204-1.</p>
...-2310	  <p>M12 connector with B-coding Rated impulse withstand voltage <math>U_{imp}</math>: 0,8 kV Rated insulation voltage <math>U_i</math>: 50 V Operating current <math>I_e</math>: AC-15 50 V / 4 A Caution! The versions with connector may only be used in PELV circuits to EN 60204-1.</p>

## Ordering code

(1)(2) 336-(3)Z(4)-(5)-(6)-(7)

(1)

Z

T

(2)

S

Snap action

Slow action

Plunger S

<b>R</b>	Roller plunger R
<b>H</b>	Roller lever H
<b>10H</b>	Rod lever 10H
<b>7H</b>	Roller lever 7H
<b>1K</b>	Offset roller lever 1K
<b>3K</b>	Angle roller lever 3K
<b>(3)</b>	
<b>11</b>	1 Normally open contact (NO) / 1 Opener (NC)
<b>02</b>	2 Opener (NC)
<b>20</b>	2 Normally open contact (NO), ( <i>Switch with 2 NO contacts are not for security tasks</i> )
<b>01/01</b>	1 Opener (NC) left / 1 Opener (NC) right
<b>(4)</b>	
<b>H</b>	Slow action with staggered contacts
<b>UE</b>	Slow action with overlapping contacts
<b>(5)</b>	
<i>without</i>	Cable entry M20
<b>NPT</b>	cable entry NPT 1/2"
<b>ST</b>	M12 connector with A-coding
<b>ST-2310</b>	M12 connector with B-coding
<b>(6)</b>	
<b>2138</b>	Roller lever 7H for Position switches with safety function
<b>(7)</b>	
<b>1637</b>	gold-plated contacts

## Documents

---

### Operating instructions and Declaration of conformity (de) 157 kB, 18.06.2018

Code: mrlk\_zt332-335-336-355\_de

### Operating instructions and Declaration of conformity (nl) 162 kB, 27.06.2018

Code: mrlk\_zt332-335-336-355\_nl

### Operating instructions and Declaration of conformity (it) 162 kB, 27.06.2018

Code: mrlk\_zt332-335-336-355\_it

### Operating instructions and Declaration of conformity (pt) 163 kB, 27.06.2018

Code: mrlk\_zt332-335-336-355\_pt

### Operating instructions and Declaration of conformity (pl) 198 kB, 27.06.2018

Code: mrlk\_zt332-335-336-355\_pl

### Operating instructions and Declaration of conformity (en) 160 kB, 18.06.2018

Code: mrlk\_zt332-335-336-355\_en

### Operating instructions and Declaration of conformity (fr) 164 kB, 27.06.2018

Code: mrlk\_zt332-335-336-355\_fr

### Declaration of conformity (es) 91 kB, 18.06.2018

Code: KAS\_konfi\_nsr\_zt2xx-3xx\_es

### Declaration of conformity (pl) 130 kB, 18.06.2018

Code: KAS\_konfi\_nsr\_zt2xx-3xx\_pl

**Declaration of conformity** (it) 89 kB, 18.06.2018

Code: KAS\_konfi\_nsr\_zt2xx-3xx\_it

**Declaration of conformity** (pt) 90 kB, 18.06.2018

Code: KAS\_konfi\_nsr\_zt2xx-3xx\_pt

**Declaration of conformity** (fr) 89 kB, 18.06.2018

Code: KAS\_konfi\_nsr\_zt2xx-3xx\_fr

**Declaration of conformity** (de) 581 kB, 07.06.2018

Code: KAS\_konfi\_nsr\_zt2xx-3xx\_de

**Declaration of conformity** (en) 579 kB, 07.06.2018

Code: KAS\_konfi\_nsr\_zt2xx-3xx\_en

**Declaration of conformity** (nl) 89 kB, 18.06.2018

Code: KAS\_konfi\_nsr\_zt2xx-3xx\_nl

**CCC certification** (en) 187 kB, 03.08.2015

Code: q\_347p02

**CCC certification** (cn) 166 kB, 03.08.2015

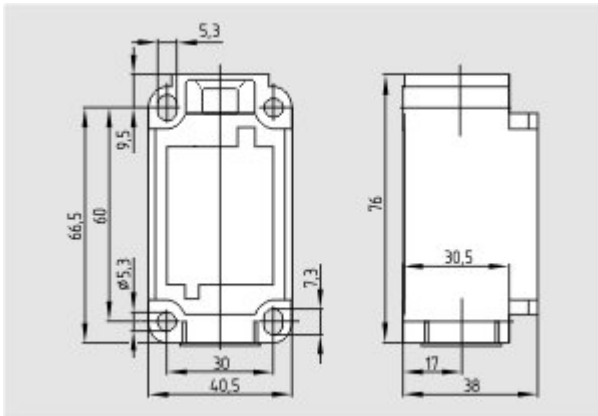
Code: q\_347p03

**EAC certification** (ru) 844 kB, 05.10.2015

Code: q\_6037p17\_ru

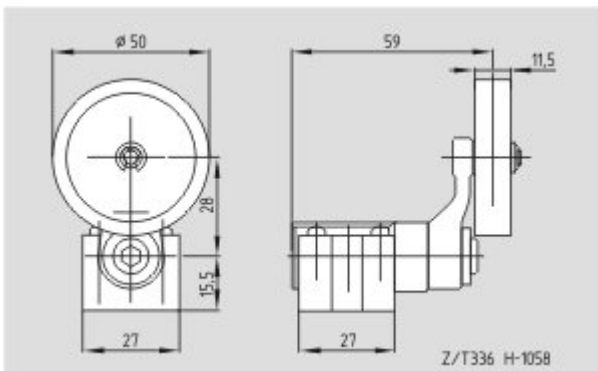
## Images

---

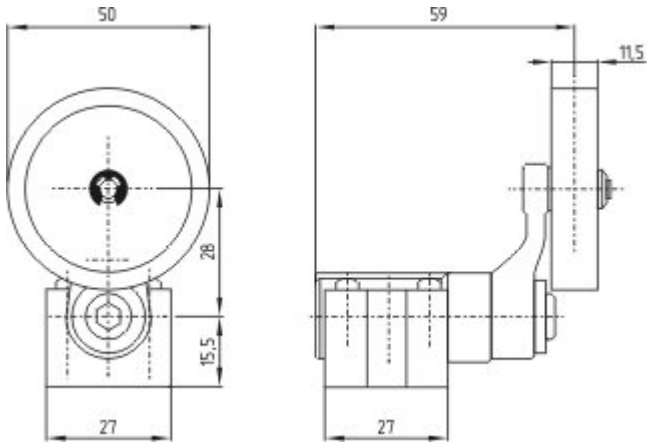


Dimensional drawing (basic component)

---



Dimensional drawing (actuator)



Dimensional drawing (actuator)

---

K.A. Schmersal GmbH & Co. KG, Möddinghofe 30, D-42279 Wuppertal

The data and values have been checked thoroughly. Technical modifications and errors excepted.

Generiert am 13.02.2019 - 13:26:33h Kasbase 3.3.0.F.64I