

## Datasheet - EX-AZ 3350-03ZK-U90-3D

Safety switch with separate actuator / EX-AZ 3350



- Metal enclosure
- Actuating head rotated by 90°
- Latching handle
- Long life
- Centring device available
- 40,5 mm x 114 mm x 38 mm
- SZ 415 lockout tag to prevent unintended closing
- High level of contact reliability with low voltages and currents
- 1 Cable entry M 20 x 1.5
- Ex-certified screwed cable gland
- Ex certified

(Minor differences between the printed image and the original product may exist!)

### Ordering details

Product type description	EX-AZ 3350-03ZK-U90-3D
Article number	EX-AZ 3350-03ZK-U90
EAN Code	
To order, first choose the desired safety switch and then the door handle system	
eCl@ss	27-27-26-02

### Approval

Approval




EEX

### Classification

Standards	EN ISO 13849-1
B10d Normally-closed contact (NC)	2.000.000
Mission time	20 Years
notice	$MTTF_d = \frac{B_{10d}}{0,1 \times n_{op}}$ $n_{op} = \frac{d_{op} \times h_{cp} \times 3600 \text{ s/h}}{t_{cycle}}$

### Global Properties

Permanent light	EX-AZ 3350
-----------------	------------

Standards	Ex tD A22 IP67 T90°C X, EN 60947-5-1, EN 61241-1, BG-GS-ET-15
Compliance with the Directives (Y/N) 	Yes
Materials	
- Material of the housings	light alloy die-casting
- Material of the contacts	Silver
Housing coating	painted
Weight	
Recommended combinations	AZ 3350-ST30-02, AZ 3350-ST30-04, AZ 3350-ST30-05, AZ 3350-ST30-07

## Mechanical data

---

Design of electrical connection	Screw connection
Cable cross-section of the cable glands	
- Min. Cable cross-section of the cable glands	Ø 6
- Max. Cable cross-section of the cable glands	Ø 12
Cable section	
- Min. Cable section	0,75
- Max. Cable section	2.5
Mechanical life	1.000.000 operations
notice	All indications about the cable section are including the conductor ferrules.
higher Latching force (Y/N)	No
Shearing force	15.000
Positive break force	5 N for each NC contact fitted
positive break travel	10.7
Door hinge	left
Max. Actuating speed	1

## Ambient conditions

---

Ambient temperature	
- Min. environmental temperature	-10
- Max. environmental temperature	+60
Protection class	IP67 to IEC/EN 60529

## Electrical data

---

Design of control element	Opener (NC)
Switching principle	Creep circuit element
Number of auxiliary contacts	0
Number of safety contacts	3
Rated impulse withstand voltage $U_{imp}$	4 kV
Rated insulation voltage $U_i$	250 V
Thermal test current $I_{the}$	10 A
Utilisation category	AC-15: 230 V / 4 A, DC-13: 24 V / 4 A
Max. fuse rating	6 A gG D-fuse

## ATEX

---

Explosion protection categories for gases	None
Explosion protection Zones for gases	None
Explosion protected category for dusts	ATEX dust ex-protection, Cat. 3
Explosion protection Zones for dusts	22

## Dimensions

---

### Dimensions of the sensor

- Width of sensor	40.5
- Height of sensor	114
- Length of sensor	38

## Included in delivery

---

Including Ex-certified screwed cable gland and screw plug

Mounting plate for safety switch

Actuator incl. mounting plate

emergency handle

## Keywords

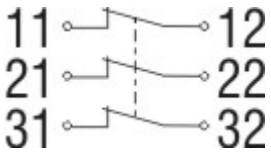
---

### Keywords


Ex, EEx, ATEX, Ex AZ 3350, Ex AZ 3350 AZ 3350 Ex, AZ3350 ex, AZ3350ex, ATEX AZ3350

## Diagram


---

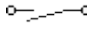


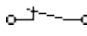
### Note Diagram

 positive break NC contact

 active

 no active

 Normally-open contact

 Normally-closed contact

## Ordering suffix

---

The applicable ordering suffix is added at the end of the part number of the safety switch.

Order example: EX-AZ 3350-03ZK-U90-3D-**1637**

...-**1637**

0,3 µm gold-plated contacts

## Ordering code

---

EX-AZ 3350-(1)-(2)-(3)-3D

(1)

**03ZK**

**12ZUEK**

(2)

without

**1637**

(3)

**U90**

**U270**

3 Opener (NC)

1 Normally open contact (NO) / 2 Opener (NC)

-

gold-plated contacts

Actuating head rotated by 90° for Door hinge left

Actuating head rotated by 270° for Door hinge right

## Documents

---

**Operating instructions and Declaration of conformity (es)** 280 kB, 09.10.2017

Code: mrl\_ex-az3350\_es

**Operating instructions and Declaration of conformity (pt)** 284 kB, 10.10.2017

Code: mrl\_ex-az3350\_pt

**Operating instructions and Declaration of conformity (de)** 545 kB, 04.03.2015

Code: mrl\_ex-az3350\_de

**Operating instructions and Declaration of conformity (de)** 280 kB, 28.09.2017

Code: mrl\_ex-az3350\_de

**Operating instructions and Declaration of conformity (fr, pl)** 321 kB, 01.02.2018

Code: mrl\_ex-az3350\_pl

**Operating instructions and Declaration of conformity (jp)** 879 kB, 15.06.2011

Code: mrl\_ex-az3350\_jp

**Operating instructions and Declaration of conformity (nl)** 305 kB, 16.07.2018

Code: mrl\_ex-az3350\_nl

**Operating instructions and Declaration of conformity (en)** 543 kB, 04.03.2015

Code: mrl\_ex-az3350\_en

**Operating instructions and Declaration of conformity (en)** 282 kB, 28.09.2017

Code: mrl\_ex-az3350\_en

**Operating instructions and Declaration of conformity (it)** 280 kB, 10.10.2017

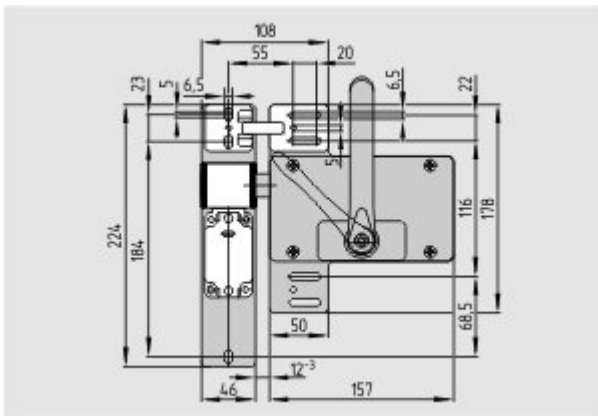
Code: mrl\_ex-az3350\_it

**Operating instructions and Declaration of conformity (fr)** 285 kB, 13.10.2017

Code: mrl\_ex-az3350\_fr

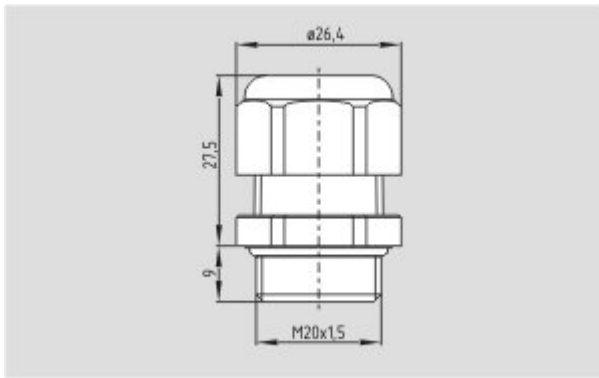
## Images

---

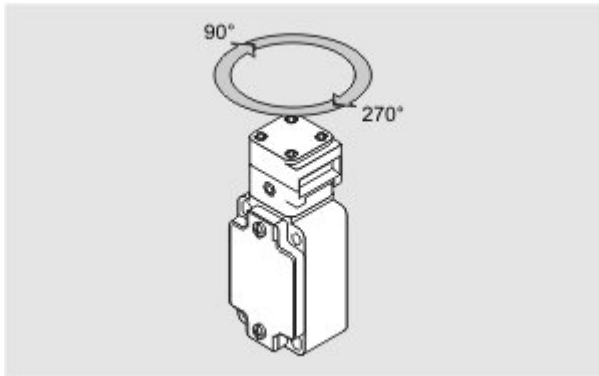


Dimensional drawing (miscellaneous)

---



Dimensional drawing (miscellaneous)



Application

## System components

### Accessories



#### Lockout tag SZ 415

- Suitable for mounting inside and outside of the hazardous area
- To prevent inadvertent closing, e.g. during maintenance
- For complex plant
- Prevents actuation of the switch
- Lockout tag with 3 circular holes



#### Centring device

- Pre-positioning
- The actuator is independent from the centring device.
- Smooth insertion or retraction of the actuator

K.A. Schmersal GmbH & Co. KG, Möddinghofe 30, D-42279 Wuppertal

The data and values have been checked thoroughly. Technical modifications and errors excepted.

Generiert am 13.02.2019 - 14:39:40h Kasbase 3.3.0.F.64l