

Datasheet - AZM 161-B6-2177 WITH CENTERING GUIDE**SCHMERSAL**

Solenoid interlock / AZM 161 / Actuator

 Preferred typ

- For very small actuating radii

(Minor differences between the printed image and the original product may exist!)

Ordering details

Product type description	AZM 161-B6-2177 MIT ZENTRIERHILFE
Article number	101174113
EAN Code	4030661303291
eCl@ss	27-27-92-16

Global Properties

Permanent light	Beweglicher Betätiger B6-2177 mit Zentrierhilfe
Weight	35

Mechanical data

Design of actuators	flexible
Minimum actuating radius	95 mm

notice

Similarly, minimum actuating radius 95 mm in line with the plane of the actuator, adjustable using an hexagonal key wrench 2,5 mm A/F (a)
On hinged guards, minimum actuating radius 95 mm, at 90° to the plane of the actuator, adjustable using an hexagonal key wrench 2,5 mm A/F (b)

Documents

Operating instructions (fr) 120 kB, 05.06.2018

Code: mrl_azm161-betaetiger_fr

Operating instructions (en) 118 kB, 04.05.2018

Code: mrl_azm161-betaetiger_en

Operating instructions (pt) 173 kB, 25.05.2018

Code: mrl_azm161-betaetiger_pt

Operating instructions (de) 110 kB, 04.05.2018

Code: mrl_azm161-betaetiger_de

Operating instructions (es) 121 kB, 05.06.2018

Code: mrl_azm161-betaetiger_es

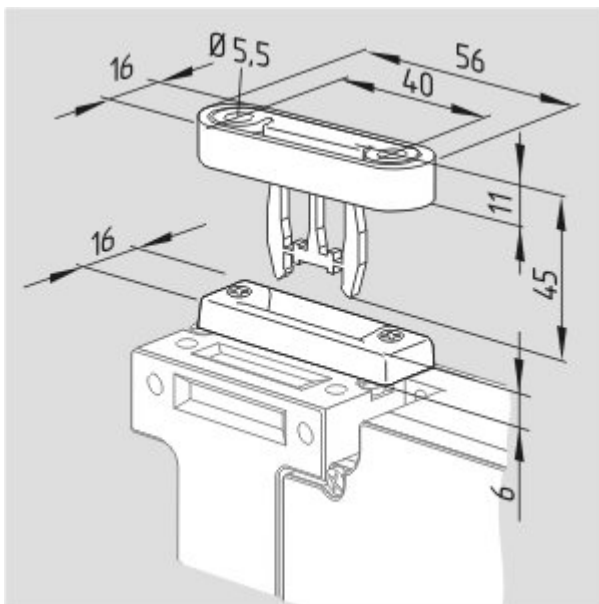
Operating instructions (nl) 126 kB, 23.07.2018

Code: mrl_azm161-betaetiger_nl

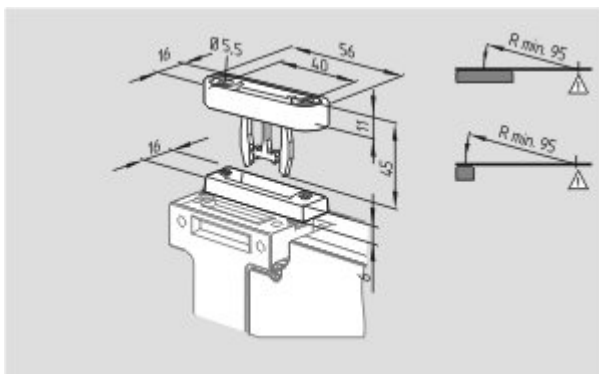
Operating instructions (pl) 165 kB, 13.08.2018

Code: mrl_azm161-betaetiger_pl

Images



Dimensional drawing (miscellaneous)



Dimensional drawing (miscellaneous)



Actuating radius



Actuating radius

K.A. Schmersal GmbH & Co. KG, Möddinghofe 30, D-42279 Wuppertal

The data and values have been checked thoroughly. Technical modifications and errors excepted.

Generiert am 13.02.2019 - 14:42:08h Kasbase 3.3.0.F.64I