

Datasheet - T4C 236-11Z

Safety switch for hinged guards / Flap safety switches / T.C 236 / T.C 236 Swing-door version



Preferred typ



- Thermoplastic enclosure
- Double-insulated
- Good resistance to oil and petroleum spirit
- 30 mm x 88,5 mm x 30 mm
- Actuator heads can be repositioned by 4 x 90°
- Cable entry 1 M 20 x 1.5

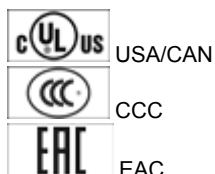
(Minor differences between the printed image and the original product may exist!)

Ordering details

| | |
|--------------------------|---------------|
| Product type description | T4C 236-11Z |
| Article number | 101164465 |
| EAN Code | 4030661205953 |
| eCI@ss | 27-27-26-01 |

Approval

Approval




Classification

| | |
|-----------------------------------|----------------|
| Standards | EN ISO 13849-1 |
| B10d Normally-closed contact (NC) | 20.000.000 |
| Mission time notice | 20 Years |

$$MTTF_d = \frac{B_{rod}}{0,1 \times n_{op}}$$

$$n_{op} = \frac{d_{op} \times h_{op} \times 3600 \text{ s/h}}{t_{cycle}}$$

Global Properties

| | |
|--|---|
| Permanent light | T.C 236 Pendeltürenauführung |
| Standards | EN 60947-5-1, BG-GS-ET-15 |
| Compliance with the Directives (Y/N)  | Yes |
| Materials | |
| - Material of the housings | Plastic, glass-fibre reinforced thermoplastic, self-extinguishing |
| - Material of the actuator | Stainless steel |
| - Material of the contacts | Silver |
| Housing coating | None |
| Weight | 105 |

Mechanical data

| | |
|---------------------------------|---|
| Design of electrical connection | Screw connection |
| Cable section | |
| - Min. Cable section | 1 x 0,75 |
| - Max. Cable section | 1 x 2.5 |
| Mechanical life | > 1.000.000 operations |
| Switching frequency | max. 5000 /h |
| notice | All indications about the cable section are including the conductor ferrules. |
| Design of actuating element | Swivel lever |
| Opening angle | 2 x 90 ° |
| Positive break angle | 12.5 ° |
| Positive break torque | 18.5 Ncm |
| actuator | 78 mm |

Ambient conditions

| | |
|----------------------------------|--------|
| Ambient temperature | |
| - Min. environmental temperature | -30 °C |
| - Max. environmental temperature | +80 °C |
| Protection class | IP67 |

Electrical data

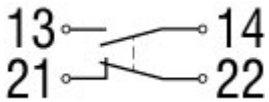
| | |
|---|---|
| Design of control element | Normally open contact (NO), Opener (NC) |
| Switching principle | Creep circuit element |
| Number of auxiliary contacts | 1 |
| Number of safety contacts | 1 |
| Rated impulse withstand voltage U_{imp} | 6 kV |
| Rated insulation voltage U_i | 500 V |
| Thermal test current I_{the} | 10 A |
| Utilisation category | AC-15: 230 V / 4 A, DC-13: 24 V / 1 A |
| Max. fuse rating | 6 A gG D-fuse |
| notice | Caution! The versions with connector may only be used in PELV circuits to EN 60204-1. |

| | |
|---|------|
| Explosion protection categories for gases | None |
| Explosion protected category for dusts | None |

Dimensions

| | |
|--------------------------|-----|
| Dimensions of the sensor | |
| - Width of sensor | 30 |
| - Height of sensor | 161 |
| - Length of sensor | 30 |

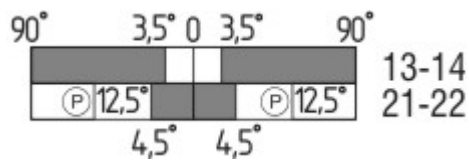
Diagram



Note Diagram

- positive break NC contact
- active
- no active
- Normally-open contact
- Normally-closed contact

Switch travel diagram



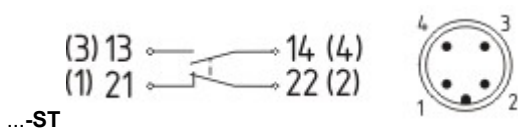
Notes Switch travel diagram

- Contact closed
 - Contact open
 - Setting range
 - Break point
 - Positive opening sequence/- angle
- VS** adjustable range of NO contact
VÖ adjustable range of NC contact
N after travel

Ordering suffix

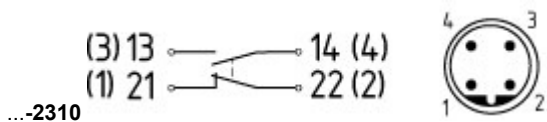
The applicable ordering suffix is added at the end of the part number of the safety switch.

Order example: T4C 236-11Z-**ST**



M12 connector with A-coding
 Rated impulse withstand voltage U_{imp} : 4 kV
 Rated insulation voltage U_i : 250 V
 Rated operating voltage U_e : 230 V
 Operating current I_e : 4 A

M12 connector with B-coding
 Rated impulse withstand voltage U_{imp} : 4 kV
 Rated insulation voltage U_i : 250 V



Rated operating voltage U_e : 230 V
 Operating current I_e : 4 A

Ordering code

T(1)C 236-(2)Z-(3)

| | |
|---------|--|
| (1) | |
| 3 | left-hand model |
| 4 | Swing-door version |
| 5 | right-hand model |
| (2) | |
| 01 | 1 Opener (NC) |
| 02 | 2 Opener (NC) |
| 11 | 1 Normally open contact (NO) / 1 Opener (NC) |
| (3) | |
| without | Cable entry M20 |
| ST | M12 connector with A-coding |
| ST-2310 | M12 connector with B-coding |

Documents

Operating instructions and Declaration of conformity (pl) 317 kB, 17.07.2017

Code: mrl_tc235_236_pl

Operating instructions and Declaration of conformity (it) 263 kB, 10.05.2017

Code: mrl_tc235_236_it

Operating instructions and Declaration of conformity (pt) 283 kB, 13.04.2017

Code: mrl_tc235_236_pt

Operating instructions and Declaration of conformity (es) 282 kB, 03.05.2017

Code: mrl_tc235_236_es

Operating instructions and Declaration of conformity (jp) 378 kB, 09.10.2017

Code: mrl_tc235_236_jp

Operating instructions and Declaration of conformity (nl) 314 kB, 05.07.2018

Code: mrl_tc235_236_nl

Operating instructions and Declaration of conformity (en) 279 kB, 28.03.2017

Code: mrl_tc235_236_en

Operating instructions and Declaration of conformity (de) 267 kB, 28.03.2017

Code: mrl_tc235_236_de

Operating instructions and Declaration of conformity (fr) 286 kB, 17.05.2017

Code: mrl_tc235_236_fr

BG-test certificate (en) 140 kB, 02.10.2015

Code: z_tc2p02

CCC certification (cn) 4 MB, 11.04.2018

Code: q_235p02

CCC certification (en) 4 MB, 27.10.2017

Code: q_235p01

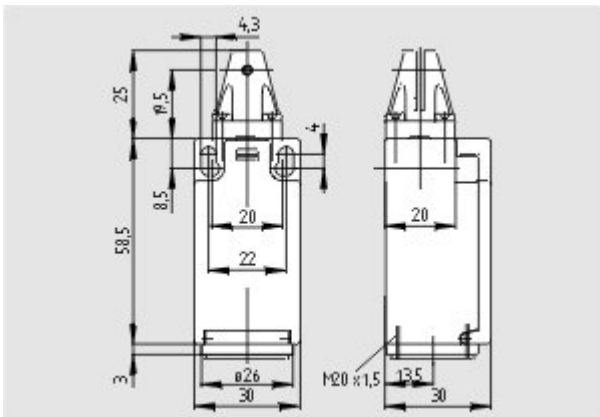
EAC certification (ru) 844 kB, 05.10.2015

Code: q_6037p17_ru

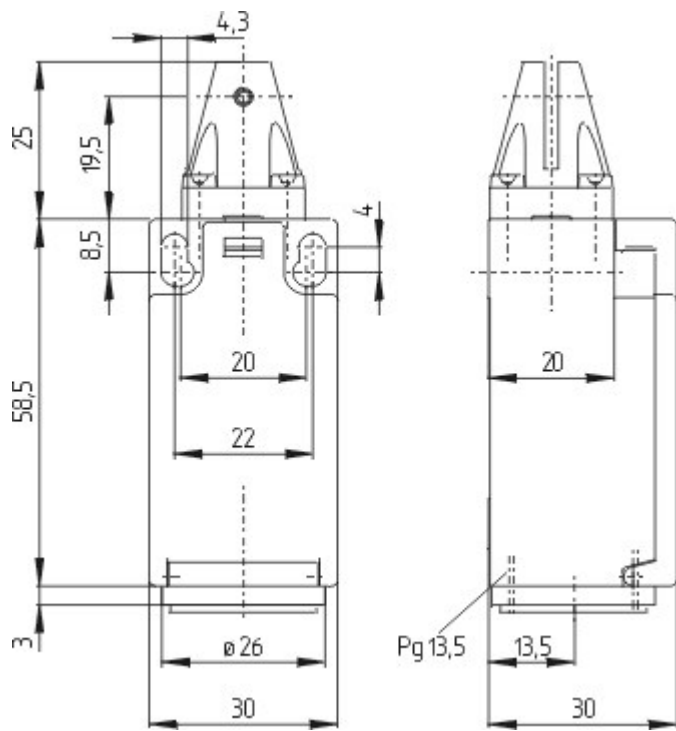
Images



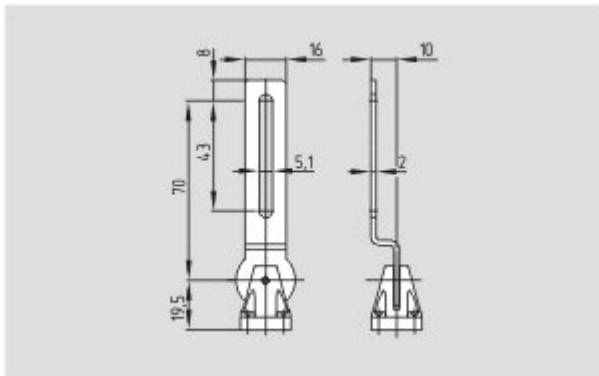
Product photo



Dimensional drawing (basic component)



Dimensional drawing (basic component)



Dimensional drawing (miscellaneous)

K.A. Schmersal GmbH & Co. KG, Möddinghofe 30, D-42279 Wuppertal

The data and values have been checked thoroughly. Technical modifications and errors excepted.

Generiert am 13.02.2019 - 14:31:56h Kasbase 3.3.0.F.64I