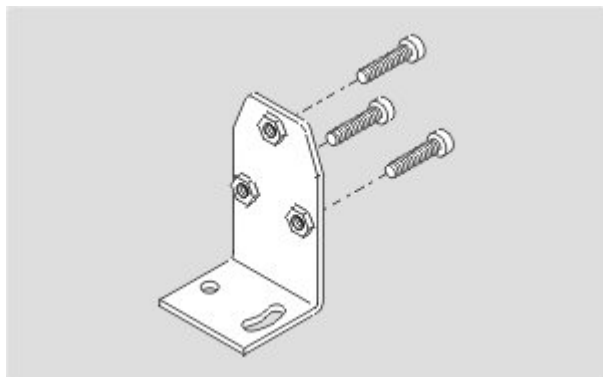


## Datasheet - BF 31

Safety light barriers / Accessories / Mounting angle



Preferred typ



• for SLB 200

(Minor differences between the printed image and the original product may exist!)

### Ordering details

Product type description	BF 31
Article number	101150260
EAN Code	4030661155180
eCl@ss	27-27-92-91

### Global Properties

Permanent light	Montagewinkel
Materials	
- Material of the mounting angle	Metal film
Weight	40
Recommended combinations	SLB 200

### Images

K.A. Schmersal GmbH & Co. KG, Möddinghofe 30, D-42279 Wuppertal

The data and values have been checked thoroughly. Technical modifications and errors excepted.

Generiert am 13.02.2019 - 14:15:26h Kasbase 3.3.0.F.64l