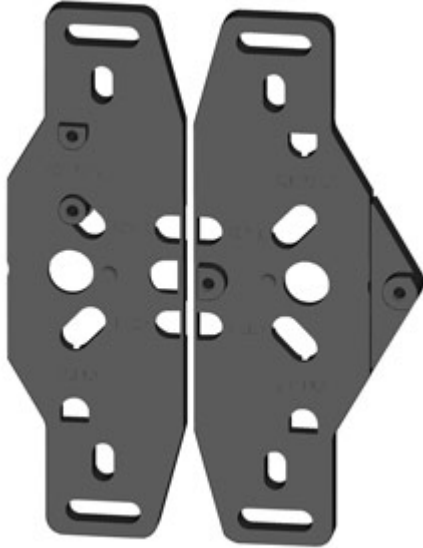


Datasheet - MP AZ 17/170-B25 MOUNTING PLATE

Solenoid interlock / AZM 170 / Door-handle actuator / Accessories



- For simple mounting
- Subsequent adjustment enabled
- Suitable for all conventional profile systems

(Minor differences between the printed image and the original product may exist!)

Ordering details

Product type description	MP AZ 17/170-B25 MONTAGEPLATTE
Article number	101175190
EAN Code	4030661313207
eCl@ss	27-27-92-91

Global Properties

Permanent light	Montageplatte
Weight	85

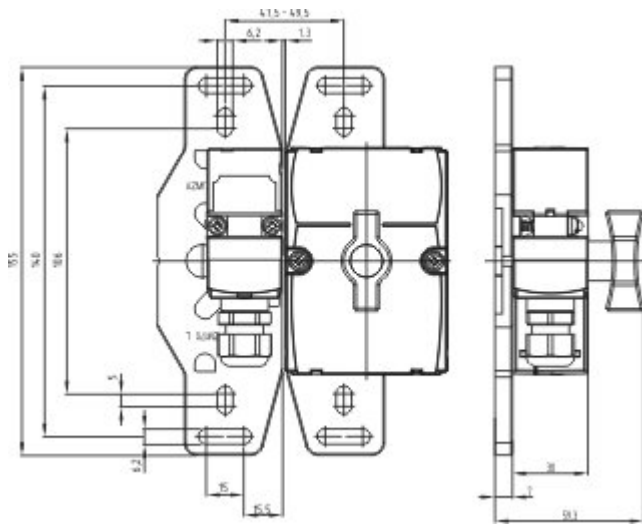
Dimensions

Dimensions	
- Width	114 mm
- Height	155 mm
- Depth	7 mm

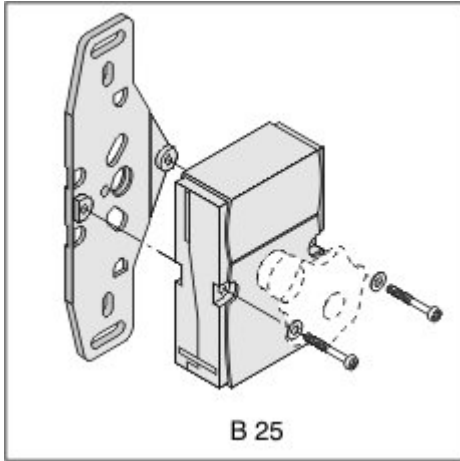
Documents

Mounting and wiring instructions (de, en, fr) 159 kB, 30.01.2018

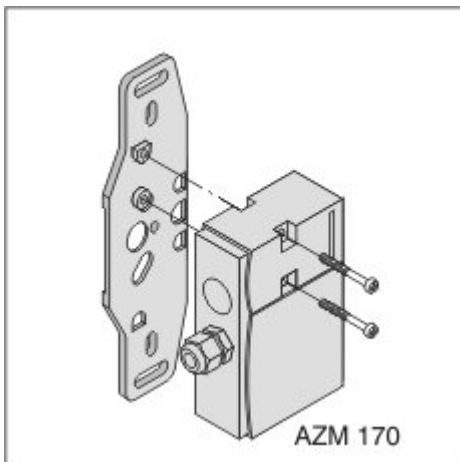
Code: m_b25p02



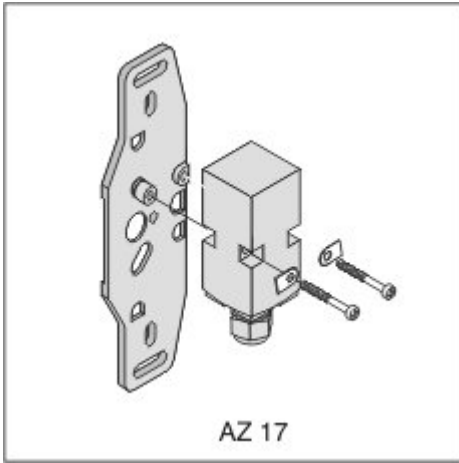
Dimensional drawing (miscellaneous)



Assembly example



Assembly example



Assembly example

K.A. Schmersal GmbH & Co. KG, Mödinghofe 30, D-42279 Wuppertal
The data and values have been checked thoroughly. Technical modifications and errors excepted.
Generiert am 13.02.2019 - 14:44:47h Kasbase 3.3.0.F.64I