

## Datasheet - AZ/AZM201-B30-RTAG1P1-SZ

Solenoid interlock / AZM201 / Actuator / AZ/AZM201-B30

 Preferred typ

- Actuator for hinged guards
- Easy and intuitive operation
- No risk of injury from protruding actuator
- No supplementary door handles required
- Does not protrude into the door opening
- for right hinged doors
- with handle and Emergency exit handle
- with integrated lockout tag

(Minor differences between the printed image and the original product may exist!)

### Ordering details

Product type description	AZ/AZM201-B30-RTAG1P1-SZ
Article number	103013499
EAN Code	4030661493473
eCl@ss	27-27-06-05

### Approval

Approval



notice

Certification in combination with the AZ/AZM201

### Global Properties

Permanent light	AZ/AZM201-B30
Materials	
- Material of the housings	Plastic, glass-fibre reinforced thermoplastic
- Material of the actuator	zinc die-cast
- Material of the operators	Aluminium, plastic coating
Emergency exit material	Metal film, plastic-coated
Weight	1065 g

### Mechanical data

Mechanical life	≥ 1.000.000 operations
Emergency unlocking device (Y/N)	Yes
Grip	handle / handle
integrated lockout tag available (Y/N)	Yes

Clamping force	2000
Actuator mounted	outside
Door hinge	right

## Dimensions

---

Dimensions of the actuators	
- Width of the actuator	115 mm
- Height of the actuator	115 + 48 mm
- Length of the actuator	60 mm
Emergency exit dimensions	
- Width of the emergency exit	115 mm
- Height of the emergency exit	115 mm
- Length of the emergency exit	35 mm

## Included in delivery

---

The safety switch / solenoid interlock and the actuator unit must be ordered separately.

## Ordering code

---

AZ/AZM201-B30-(1)T(2)(3)(4)-(5)

<b>(1)</b>	
<b>L</b>	Door hinge on left-hand side
<b>R</b>	Door hinge on right-hand side
<b>(2)</b>	
<b>A</b>	for Mounting outside
<b>I</b>	for Mounting inside
<b>(3)</b>	
<b>G1</b>	with handle
<b>G2</b>	with Rotating knob
<b>(4)</b>	
<b>P1</b>	with Emergency exit
<b>P20</b>	with Emergency exit Metal film <i>(Only for Mounting outside possible)</i>
<b>P25</b>	with Emergency exit Inset handle <i>(Only for Mounting outside possible)</i>
<b>P30/P31</b>	with Locking rod <i>(Only for Mounting outside possible)</i>
<b>(5)</b>	
<i>without</i>	without Lockout tag
<b>SZ</b>	with Lockout tag <i>(Only for Mounting outside possible)</i>

## Documents

---

**Operating instructions** (nl) 1 MB, 24.09.2018

Code: mrl\_az-azm201-b30\_nl

**Operating instructions** (fr) 1 MB, 24.09.2018

Code: mrl\_az-azm201-b30\_fr

**Operating instructions** (it) 1 MB, 24.09.2018

Code: mrl\_az-azm201-b30\_it

**Operating instructions** (en) 975 kB, 24.09.2018

Code: mrl\_az-azm201-b30\_en

**Operating instructions** (es) 982 kB, 24.09.2018

Code: mrl\_az-azm201-b30\_es

**Operating instructions** (jp) 1 MB, 24.09.2018

Code: mrl\_az-azm201-b30\_jp

**Operating instructions** (pt) 1 MB, 24.09.2018

Code: mrl\_az-azm201-b30\_pt

**Operating instructions** (cn) 1 MB, 23.11.2018

Code: mrl\_az-azm201-b30\_cn

**Operating instructions** (de) 983 kB, 27.09.2018

Code: mrl\_az-azm201-b30\_de

**Operating instructions** (pl) 1 MB, 24.09.2018

Code: mrl\_az-azm201-b30\_pl

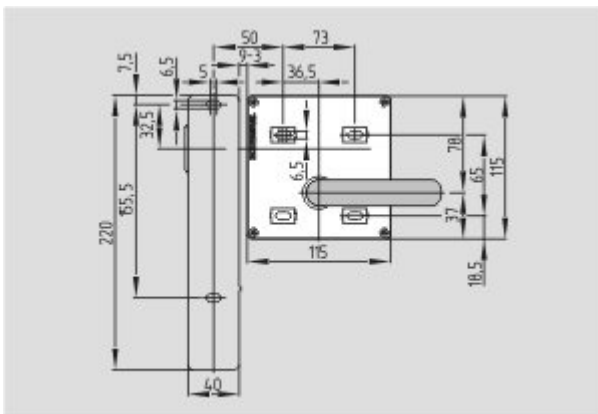
## Images

---

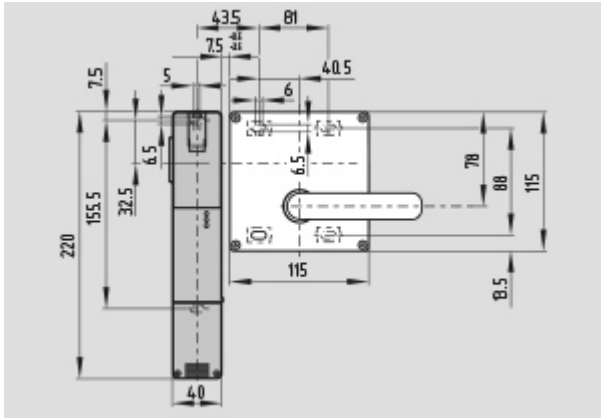


Product photo

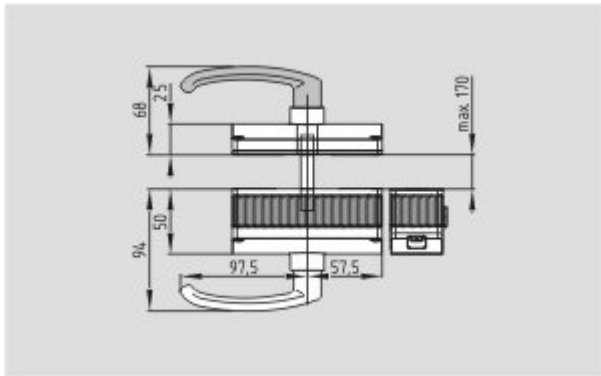
---



Dimensional drawing (basic component)



Dimensional drawing (basic component)



Dimensional drawing (miscellaneous)

## System components

### Product



#### AZM201

- Thermoplastic enclosure
- RFID-technology for needs-based protection against tampering
- Max. length of the sensor chain 200 m
- Self-monitoring series-wiring of 31 sensors
- 3 LEDs to show operating conditions
- Sensor technology permits an offset between actuator and interlock of  $\pm 5$  mm vertically and  $\pm 3$  mm horizontally
- Suitable for hinged and sliding guards
- Intelligent diagnosis
- Manual release

K.A. Schmersal GmbH & Co. KG, Möddinghofe 30, D-42279 Wuppertal

The data and values have been checked thoroughly. Technical modifications and errors excepted.

Generiert am 13.02.2019 - 14:50:17h Kasbase 3.3.0.F.64I