

## Datasheet - T3K 015-20Y



Position switch / medium heavy Position switch / Product series 015, 016, 017 - Metal enclosure / 015 / 015 Angle roller lever 3K



- Metal enclosure
- 2 Contacts
- 67 mm x 75 mm x 43 mm ( basic component)
- Actuator heads can be repositioned by 4 x 90°
- 3 Cable entry M 20 x 1.5

(Minor differences between the printed image and the original product may exist!)

### Ordering details


|                          |             |
|--------------------------|-------------|
| Product type description | T3K 015-20Y |
| Article number           | 101054723   |
| EAN Code                 |             |
| eCl@ss                   | 27-27-06-01 |

### Approval

Approval



### Global Properties

|  |                                  |
|--|----------------------------------|
| Permanent light  | 015 Winkelhebel 3K               |
| Standards  | EN 60947-5-1                     |
| Compliance with the Directives (Y/N)  | Yes                              |
| Suitable for safety functions (Y/N)  | No                               |
| Standard housing (Y/N)   | No                               |
| Materials  |                                  |
| - Material of the housings   | light alloy die-casting, painted |
| - Roller material  | Plastic                          |
| - Material of the contacts   | Silver                           |
| Housing coating  | painted                          |

|            |        |
|------------|--------|
| Weight     | 282    |
| Slide form | Castor |

## Mechanical data

---

|  |   |
|--|---|
| Design of electrical connection                              | Screw connection  |
| Cable section  |   |
| - Min. Cable section   | 1.5   |
| - Max. Cable section   | 2.5   |
| AWG-Number   | 13  |
| Active principle   | mechanical  |
| Mechanical life  | 5.000.000 operations  |
| notice   | All indications about the cable section are including the conductor ferrules. |
| Design of actuating element                                  | Angle roller lever  |
| Actuating force  | 8 N   |
| Bounce duration  |   |
| Switchover time  |   |
| Contact opening  | 2 x 2.5   |
| Actuating speed with vertical actuating angle to switch axis |   |
| - Min. Actuating speed                                       | 1   |
| - Max. Actuating speed                                       | 0,5   |
| - Actuating angle from below                                 | 45  |

## Ambient conditions

---

|                                  |                      |
|----------------------------------|----------------------|
| Ambient temperature              |                      |
| - Min. environmental temperature | -30                  |
| - Max. environmental temperature | +90                  |
| Protection class                 | IP65 to IEC/EN 60529 |

## Electrical data

---

|                                |                            |
|--------------------------------|----------------------------|
| Design of control element      | Normally open contact (NO) |
| - with double break            |                            |
| Switching principle            | Creep circuit element      |
| Number of shutters             | 2                          |
| Number of openers              | 0                          |
| Rated insulation voltage $U_i$ | 400 V, 10 A                |
| Thermal test current $I_{the}$ | 10 A                       |
| Utilisation category           | AC-15: 400 V / 4 A         |
| Max. fuse rating               | 20 A gG D-fuse             |

## Dimensions

---

|                          |     |
|--------------------------|-----|
| Dimensions of the sensor |     |
| - Width of sensor        | 67  |
| - Height of sensor       | 116 |
| - Length of sensor       | 43  |
| Roller wide              | 8.5 |
| Roller diameter          | 20  |

## notice

---

notice **Top-side actuation should be avoided, such actuation reducing the**

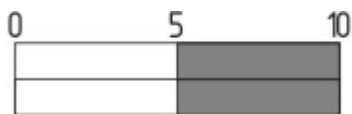
Diagram



Note Diagram

- positive break NC contact
- active
- no active
- Normally-open contact
- Normally-closed contact

Switch travel diagram



Notes Switch travel diagram

- Contact closed
- Contact open
- Setting range
- Break point
- Positive opening sequence/- angle
- VS** adjustable range of NO contact
- VÖ** adjustable range of NC contact
- N** after travel

Ordering suffix

The applicable ordering suffix is added at the end of the part number of the safety switch.

Order example: T3K 015-20Y- **C**

|                       |  |
|-----------------------|--|
| <p>...- <b>C</b></p>  | <p>Magnetic blow-out<br/>                 Blow-out magnets available to switch high DC currents<br/>                 Rated operating current/voltage I<sub>e</sub>/U<sub>e</sub>: 1 A / 220 V; 4 A / 24 V<br/>                 Utilisation category: DC-13</p> |
| <p>...- <b>H</b></p>  | <p>Slow action with staggered contacts</p>   |
| <p>...-<b>RMS</b></p> | <p>Available with metal roller</p>   |

Ordering code

(1)(2) 015-(3)Y-(4)

- (1)
- T** Slow action
- M** Snap action
- (2)

|     |  |
|-----|--|
| S   | Plunger S                                    |
| 2S  | Telescopic plunger 2S                        |
| K   | Offset roller lever K                        |
| 2K  | Rocking offset roller lever 2K               |
| 3K  | Angle roller lever 3K                        |
| 8H  | Roller lever 8H                              |
| 7H  | Roller lever 7H                              |
| 10H | Rod lever 10H                                |
| H   | Roller lever H                               |
| 4H  | Spring rod lever on shaft 4H                 |
| 2H  | Leaf-spring lever 2H                         |
| 3H  | Roller lever 3H                              |
| 9H  | Rod lever 9H                                 |
| 6H  | Leaf-spring lever 6H                         |
| (3) |  |
| 11  | 1 Normally open contact (NO) / 1 Opener (NC) |
| 02  | 2 Opener (NC)                                |
| 20  | 2 Normally open contact (NO)                 |
| (4) |  |
| UE  | Slow action with overlapping contacts        |
| H   | Slow action with staggered contacts          |
| C   | Magnetic blow-out                            |

## Documents

---

**Operating instructions and Declaration of conformity (nl)** 95 kB, 20.07.2018

Code: mrlk\_posi-allgemein\_nl

**Operating instructions and Declaration of conformity (ru)** 133 kB, 09.07.2018

Code: mrlk\_posi-allgemein\_ru

**Operating instructions and Declaration of conformity (es)** 88 kB, 09.07.2018

Code: mrlk\_posi-allgemein\_es

**Operating instructions and Declaration of conformity (en)** 86 kB, 09.07.2018

Code: mrlk\_posi-allgemein\_en

**Operating instructions and Declaration of conformity (cn)** 138 kB, 09.07.2018

Code: mrlk\_posi-allgemein\_cn

**Operating instructions and Declaration of conformity (it)** 86 kB, 09.07.2018

Code: mrlk\_posi-allgemein\_it

**Operating instructions and Declaration of conformity (jp)** 285 kB, 09.07.2018

Code: mrlk\_posi-allgemein\_jp

**Operating instructions and Declaration of conformity (pl)** 118 kB, 09.07.2018

Code: mrlk\_posi-allgemein\_pl

**Operating instructions and Declaration of conformity (fr)** 85 kB, 09.07.2018

Code: mrlk\_posi-allgemein\_fr

**Operating instructions and Declaration of conformity (pt)** 86 kB, 09.07.2018

Code: mrlk\_posi-allgemein\_pt

**Operating instructions and Declaration of conformity** (de) 88 kB, 09.07.2018

Code: mrlk\_posi-allgemein\_de

**Declaration of conformity** (de) 93 kB, 27.03.2017

Code: konfi\_mrl\_tm015\_de

**Declaration of conformity** (en) 91 kB, 07.11.2017

Code: konfi\_mrl\_tm015\_en

**CCC certification** (en) 4 MB, 27.10.2017

Code: q\_372p02

**CCC certification** (cn) 4 MB, 27.10.2017

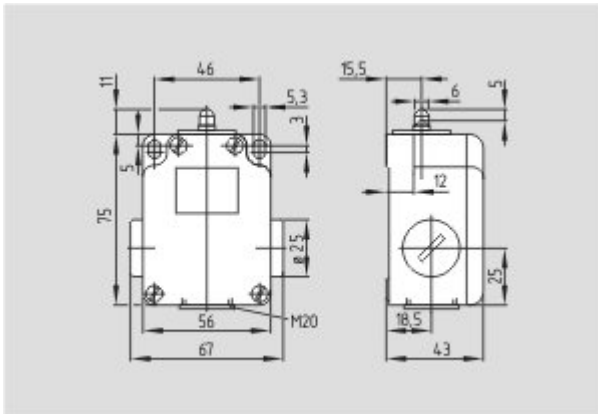
Code: q\_372p03

**EAC certification** (ru) 388 kB, 20.01.2016

Code: q\_1527p17\_ru

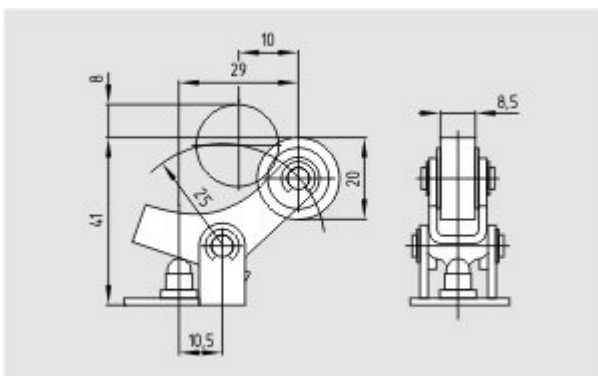
## Images

---



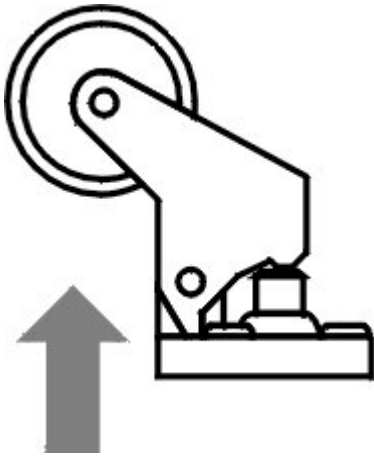
Dimensional drawing (basic component)

---



Dimensional drawing (miscellaneous)

---



Operating principle

---

K.A. Schmersal GmbH & Co. KG, Mödinghofe 30, D-42279 Wuppertal  
The data and values have been checked thoroughly. Technical modifications and errors excepted.  
Generiert am 13.02.2019 - 13:33:59h Kasbase 3.3.0.F.64I