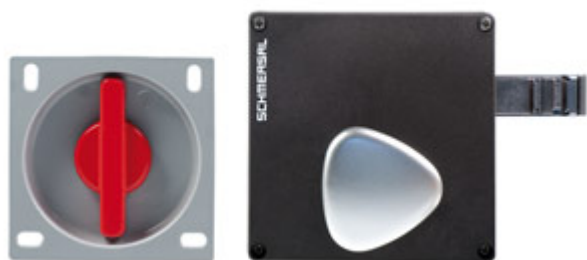


## Datasheet - AZ/AZM 200-B30-LTAG2P25

Solenoid interlock / AZM 200 / Actuator / AZ/AZM 200-B30



(Minor differences between the printed image and the original product may exist!)

- One-hand emergency exit, even in de-energised condition
  - Actuator for hinged guards
  - With door detection sensor T
  - Easy and intuitive operation
  - No risk of injury from protruding actuator
  - No supplementary door handles required
  - Does not protrude into the door opening
  - Various handles available
- Greater mechanical stability

### Ordering details

Product type description	AZ/AZM 200-B30-LTAG2P25
Article number	101192106
EAN Code	4030661352015
eCl@ss	27-27-06-05

### Approval

Approval



notice

Certification in combination with the AZ/AZM 200

### Global Properties

Permanent light	AZ/AZM 200-B30
Materials	
- Material of the housings	Plastic, glass-fibre reinforced thermoplastic self-extinguishing
- Material of the actuator	zinc die-cast
- Material of the operators	Aluminium
- Emergency exit material	Metal film
Weight	1400
Door detection sensor (Y/N)	Yes

### Mechanical data

Mechanical life	≥ 1.000.000 operations
Emergency unlocking device (Y/N)	Yes
Grip	Rotating knob/Inset handle
Clamping force F	2000 N
Actuator mounted	outside
Door hinge	left

## Dimensions

---

### Dimensions of the actuators

- Width of the actuator	115
- Height of the actuator	115
- Length of the actuator	37

### Emergency exit dimensions

- Width of the emergency exit	95
- Height of the emergency exit	95
- Length of the emergency exit	23

## Included in delivery

---

The safety switch / solenoid interlock and the actuator unit must be ordered separately.

## Keywords

---

Search keys Lockout tag; SZ 200

## Ordering code

---

AZ/AZM 200-B30-(1)T(2)(3)(4)-(5)

(1)

L Door hinge on left-hand side  
R Door hinge on right-hand side

(2)

A for Mounting outside  
I for Mounting inside

(3)

G1 with handle  
G2 with Rotating knob

(4)

P1 with Emergency exit  
P20 with Emergency exit Metal film (*Only for Mounting outside possible*)  
P25 with Emergency exit Inset handle (*Only for Mounting outside possible*)  
P30/P31 with Locking rod (*Only for Mounting outside possible*)

(5)

without without Lockout tag  
SZ with Lockout tag (*Only for Mounting outside possible*)

## Documents

---

**Operating instructions** (nl) 1 MB, 24.09.2018

Code: mrl\_az-azm201-b30\_nl

**Operating instructions** (fr) 1 MB, 24.09.2018

Code: mrl\_az-azm201-b30\_fr

**Operating instructions** (it) 1 MB, 24.09.2018

Code: mrl\_az-azm201-b30\_it

**Operatina instructions** (en) 975 kB. 24.09.2018

Code: mrl\_az-azm201-b30\_en

**Operating instructions** (es) 982 kB, 24.09.2018

Code: mrl\_az-azm201-b30\_es

**Operating instructions** (jp) 1 MB, 24.09.2018

Code: mrl\_az-azm201-b30\_jp

**Operating instructions** (pt) 1 MB, 24.09.2018

Code: mrl\_az-azm201-b30\_pt

**Operating instructions** (cn) 1 MB, 23.11.2018

Code: mrl\_az-azm201-b30\_cn

**Operating instructions** (de) 983 kB, 27.09.2018

Code: mrl\_az-azm201-b30\_de

**Operating instructions** (pl) 1 MB, 24.09.2018

Code: mrl\_az-azm201-b30\_pl

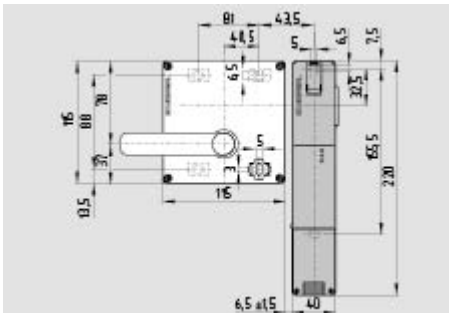
## Images

---



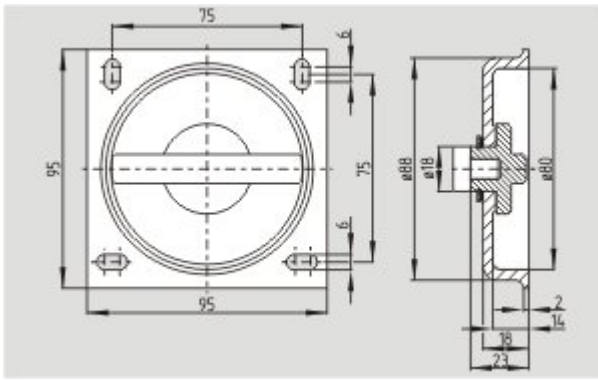
Product photo

---

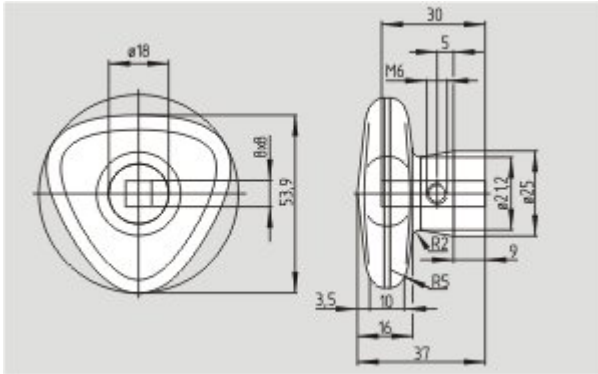


Dimensional drawing (basic component)

---



Dimensional drawing (miscellaneous)



Dimensional drawing (miscellaneous)

## System components

### Product



#### AZ 200

- **NOTICE: Available until 2020.12.31 (substitute: AZ201)**
- Thermoplastic enclosure
- Spring pulley connection
- Max. length of the sensor chain 200 m
- Self-monitoring series-wiring of 31 sensors
- 3 LEDs to show operating conditions
- Sensor technology permits an offset between actuator and interlock of  $\pm 5$  mm vertically and  $\pm 3$  mm horizontally
- Intelligent diagnosis

#### AZM 200

- **NOTICE: Available until 2020.12.31 (substitute: AZM201)**
- Thermoplastic enclosure
- Guard locking monitored
- Electronic contact-free, coded system
- Max. length of the sensor chain 200 m
- Self-monitoring series-wiring of 31 sensors
- 3 LEDs to show operating conditions
- Sensor technology permits an offset between actuator and interlock of  $\pm 5$  mm vertically and  $\pm 3$  mm horizontally
- Intelligent diagnosis
- Manual release

