

Datasheet - rope tensioner S 900

Further accessories for Pull-wire switches / rope tensioner



Preferred typ



- Smooth adjustment
- Only one tool
- Antiskid
- Time-saving
- Ergonomic
- No risk of injury

(Minor differences between the printed image and the original product may exist!)

Ordering details

Product type description	Seilspanner S 900
Article number	101186704
EAN Code	4030661347295
eCl@ss	27-37-12-81

Global Properties

Permanent light	Seilspanner
Material	Plastic
Weight	250

Documents

Operating instructions and Declaration of conformity (pl) 282 kB, 22.11.2018

Code: mrl_s900_pl

Operating instructions and Declaration of conformity (nl) 236 kB, 22.11.2018

Code: mrl_s900_nl

Operating instructions and Declaration of conformity (br) 401 kB, 02.10.2018

Code: mrl_s900_br

Operating instructions and Declaration of conformity (en) 398 kB, 02.10.2018

Code: mrl_s900_en

Operating instructions and Declaration of conformity (de) 426 kB, 02.10.2018

Code: mrl_s900_de

Operating instructions and Declaration of conformity (fr) 236 kB, 22.11.2018

Code: mrl_s900_fr

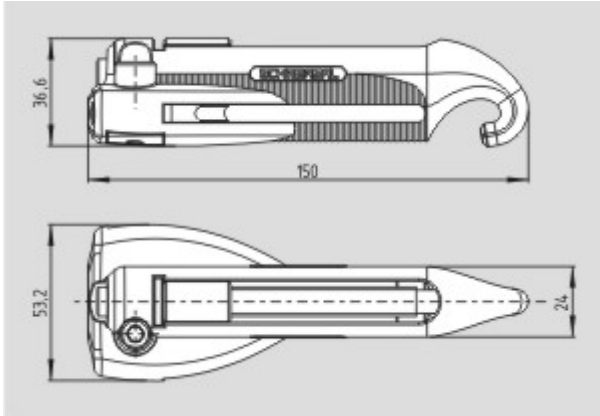
Operating instructions and Declaration of conformity (pt) 236 kB, 26.10.2018

Code: mrl_s900_pt

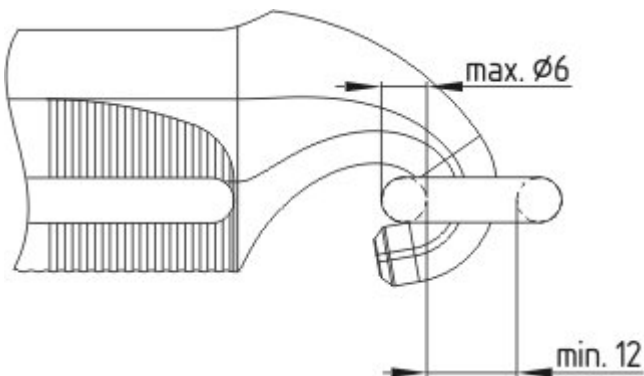
Operating instructions and Declaration of conformity (cn) 412 kB, 23.11.2018

Code: mrl_s900_cn

Images



Dimensional drawing (basic component)



Dimensional drawing (miscellaneous)



Product in the environment

K.A. Schmersal GmbH & Co. KG, Mödinghofe 30, D-42279 Wuppertal

The data and values have been checked thoroughly. Technical modifications and errors excepted.

Generiert am 13.02.2019 - 13:02:30h Kasbase 3.3.0.F.64I