

## Datasheet - T. 441-11Y-14

Slack-wire switch / 441 Slack-wire switch



- Metal enclosure
- 2 Contacts
- 106 mm x 181 mm x 63 mm
- Suitable for heavy duty
- 2 cable entries

(Minor differences between the printed image and the original product may exist!)

### Ordering details

Product type description	T. 441-11Y-14
Article number	101056537
EAN Code	4030661019949
eCl@ss	27-27-06-01

### Approval

Approval



CCC

### Global Properties

Permanent light	441 Schlaffseilschalter
Standards	EN 60947-5-1
Compliance with the Directives (Y/N) 	Yes
Suitable for safety functions (Y/N)	No
Standard housing (Y/N)	No
Materials	
- Material of the housings	cast iron, galvanized
- Material of the contacts	Silver
Housing coating	painted
Weight	1855

### Mechanical data

Design of electrical connection	Screw connection
Cable section	
- Min. Cable section	1.5
- Max. Cable section	2.5
AWG-Number	13
Active principle	mechanical
Mechanical life	10.000.000 operations
Switching frequency	max. 3000 /h
notice	All indications about the cable section are including the conductor ferrules.
Contact opening	2 x 6

## Ambient conditions

Ambient temperature	
- Min. environmental temperature	-30
- Max. environmental temperature	+90
Protection class	IP65 to IEC/EN 60529

## Electrical data

Design of control element	Normally open contact (NO), Opener (NC)
- with double break	
Switching principle	Creep circuit element
Number of shutters	1
Number of openers	1
Rated impulse withstand voltage $U_{imp}$	6 kV
Rated insulation voltage $U_i$	400 V
Thermal test current $I_{the}$	16 A
Utilisation category	AC-15: 400 V / 4 A
Max. fuse rating	16 A gG D-fuse




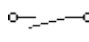
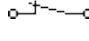
## Dimensions

Dimensions of the sensor	
- Width of sensor	106
- Height of sensor	181
- Length of sensor	63

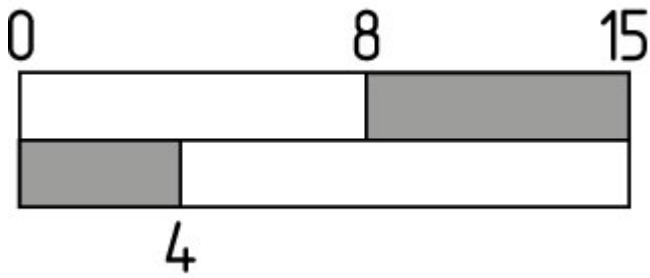
## Diagram




Note Diagram

-  positive break NC contact
-  active
-  no active
-  Normally-open contact
-  Normally-closed contact

## Switch travel diagram





Notes Switch travel diagram

 Contact closed

 Contact open

 Setting range

 Break point

 Positive opening sequence/- angle

**VS** adjustable range of NO contact

**VÖ** adjustable range of NC contact

**N** after travel

## Ordering suffix

The applicable ordering suffix is added at the end of the part number of the safety switch.

Order example: T. 441-11Y-14-T

...-T	Temperature-resistant and tropical version with ceramic insulation for -40°C ... +200°C Rated insulation voltage Ui: 500 V (Snap action)
...-K	Tropical version with ceramic insulation Rated insulation voltage Ui: 500 V (Snap action)
...- 1276-2	gold-plated contacts
...- UE	Slow action with overlapping contacts

## Documents

**Declaration of conformity** (de) 94 kB, 08.08.2016

Code: \_\_422p01

**Declaration of conformity** (pl) 129 kB, 08.08.2016

Code: \_\_422p01\_pl

**Declaration of conformity** (en) 84 kB, 29.11.2018

Code: \_\_422p01\_en

**CCC certification** (cn) 3 MB, 09.04.2018

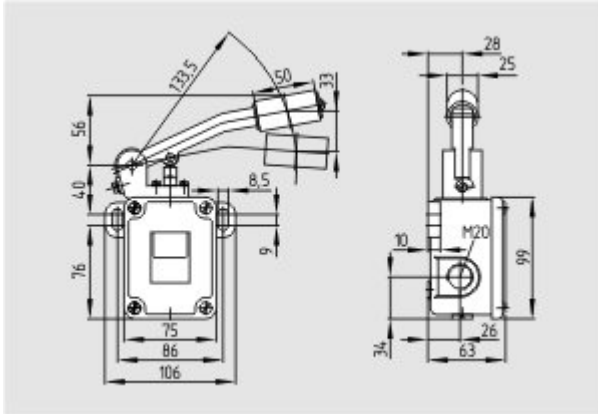
Code: q\_352p03

**CCC certification** (en) 3 MB, 09.04.2018

Code: q\_352p02

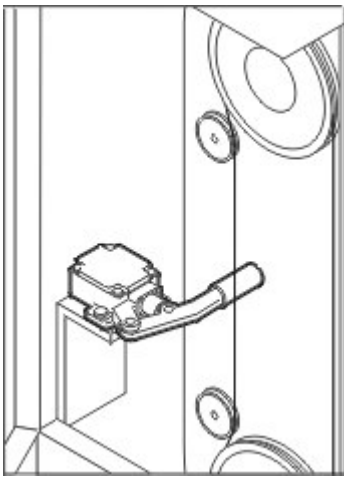
## Images

---



Dimensional drawing (basic component)

---



Application

---

K.A. Schmersal GmbH & Co. KG, Möddinghofe 30, D-42279 Wuppertal

The data and values have been checked thoroughly. Technical modifications and errors excepted.

Generiert am 13.02.2019 - 14:41:47h Kasbase 3.3.0.F.64l