

## Datasheet - NDRR50SW

Command and signalling devices / Push buttons and pilot lights - "N" Program / NDR -  
Emergency stop / Mushroom button



• with latching



(Minor differences between the printed image and the original product may exist!)

### Ordering details

Product type description	NDRR50SW
Article number	101163585
EAN Code	
eCl@ss	27-37-12-12

### Approval

Approval



### Global Properties

Permanent light	NDR - Mushroom button
Standards	IEC/EN 60947-1, EN 60947-5-1
Compliance with the Directives (Y/N)	No
Suitable for safety functions (Y/N)	No
Mounting	mounting flange EFM
Materials	
- Material of the operators	ABS
- Material of the front ring	ABS, Chromium-plated
- Material of the bellows	Silicone

Design	Mushroom button - Front plate mounting
Form	Round
Color	
- Colour of the operating element	<input checked="" type="checkbox"/> Black
- Colour of the bellows	<input type="checkbox"/> White
- Colour of the front ring	<input type="checkbox"/> Silver
Weight	50
Manner of using	
Can be illuminated (Y/N)	No
Emergency-Stop button (Y/N)	No

## Mechanical data

---

Mechanical life	100.000 operations
restistance to shock	30 g / 18 ms
Latching (Y/N)	Yes
Unlocking type	Draw unlocking
Probing possible (Y/N)	No
mounting flange available (Y/N)	Yes
Snap mechanism integrated in device head (Y/N)	No
External snap mechanism (Y/N)	Yes
Front plate thickness	
- min. front plate thickness	1.5
- max. front plate thickness	6
Tightening torque for fixing screws	0,6

## Ambient conditions

---

Ambient temperature	
- Min. environmental temperature	-25
- Max. environmental temperature	+80
Storage and transport temperature	
- Min. Storage and transport temperature	-
- Max. Storage and transport temperature	-
Fully insulated (Y/N)	Yes
Sealing type	membrane, lip seal
Protection type IP	IP67, IP69K

## Dimensions

---

Dimensions	
- Height	45 mm
- diameters for the actuating heads	Ø 50
- Hole, diameter	22.3 + 0,4
Spacing	50 x 50

## Documents

---

**Operating instructions and Declaration of conformity (it)** 2 MB, 14.06.2017

Code: mrl\_programme-e-n-r\_it

**Operating instructions and Declaration of conformity (en)** 1 MB, 06.11.2018

Code: mrl\_programme-e-n-r\_en

**Operating instructions and Declaration of conformity** (pl) 2 MB, 12.10.2017

Code: mrl\_programme-e-n-r\_pl

**Operating instructions and Declaration of conformity** (jp) 2 MB, 28.06.2017

Code: mrl\_programme-e-n-r\_jp

**Operating instructions and Declaration of conformity** (pt) 2 MB, 31.05.2017

Code: mrl\_programme-e-n-r\_pt

**Operating instructions and Declaration of conformity** (de) 1 MB, 06.11.2018

Code: mrl\_programme-e-n-r\_de

**Operating instructions and Declaration of conformity** (es) 1 MB, 05.12.2018

Code: mrl\_programme-e-n-r\_es

**Operating instructions and Declaration of conformity** (nl) 1 MB, 05.12.2018

Code: mrl\_programme-e-n-r\_nl

**Operating instructions and Declaration of conformity** (fr) 1 MB, 05.12.2018

Code: mrl\_programme-e-n-r\_fr

**Operating instructions and Declaration of conformity** (cn) 2 MB, 21.06.2017

Code: mrl\_programme-e-n-r\_cn

**BG-test certificate** (de, en, fr) 174 kB, 31.07.2014

Code: z\_ndrp01

**IPA Data** (en) 248 kB, 09.11.2012

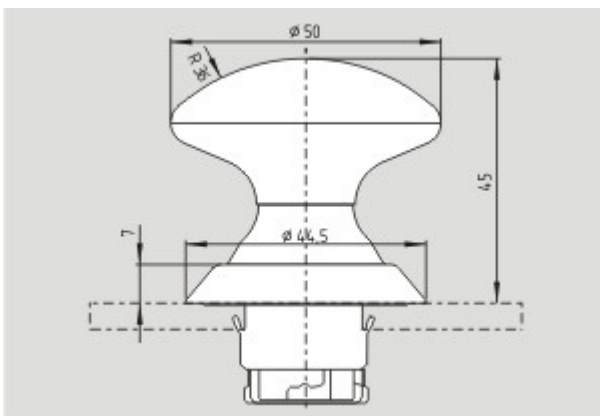
Code: i\_jpap02

**IPA Data** (de) 255 kB, 05.09.2014

Code: i\_jpap01

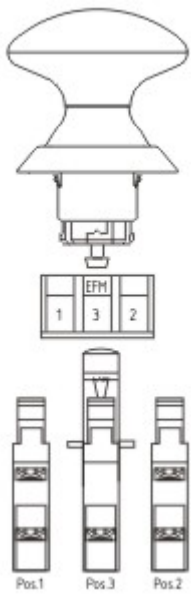
## Images

---



Dimensional drawing (basic component)

---



Application

---

## System components

---

### contact element



### contact element EF - (N)

- Flat plug-in connector
  - Mounting flange position 2
  - 21-22 (Contact labelling)
- 

K.A. Schmersal GmbH & Co. KG, Mödinghofe 30, D-42279 Wuppertal

The data and values have been checked thoroughly. Technical modifications and errors excepted.

Generiert am 13.02.2019 - 12:53:40h Kasbase 3.3.0.F.64I