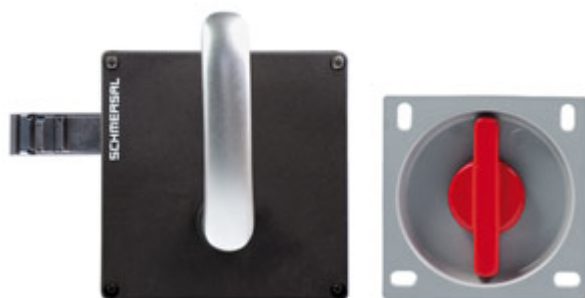


Datasheet - AZ/AZM 200-B30-RTAG1P25

Solenoid interlock / AZM 200 / Actuator / AZ/AZM 200-B30



(Minor differences between the printed image and the original product may exist!)

- One-hand emergency exit, even in de-energised condition
 - Actuator for hinged guards
 - With door detection sensor T
 - Easy and intuitive operation
 - No risk of injury from protruding actuator
 - No supplementary door handles required
 - Does not protrude into the door opening
 - Various handles available
- Greater mechanical stability

Ordering details

| | |
|--------------------------|-------------------------|
| Product type description | AZ/AZM 200-B30-RTAG1P25 |
| Article number | 101192103 |
| EAN Code | 4030661357034 |
| eCl@ss | 27-27-06-05 |

Approval

Approval



notice

Certification in combination with the AZ/AZM 200

Global Properties

| | |
|-----------------------------|--|
| Permanent light | AZ/AZM 200-B30 |
| Materials | |
| - Material of the housings | Plastic, glass-fibre reinforced thermoplastic self-extinguishing |
| - Material of the actuator | zinc die-cast |
| - Material of the operators | Aluminium |
| - Emergency exit material | Metal film |
| Weight | 500 |
| Door detection sensor (Y/N) | Yes |

Mechanical data

| | |
|----------------------------------|------------------------|
| Mechanical life | ≥ 1.000.000 operations |
| Emergency unlocking device (Y/N) | Yes |
| Grip | handle/Inset handle |
| Clamping force F | 2000 N |
| Actuator mounted | outside |
| Door hinge | right |

Dimensions

Dimensions of the actuators

| | |
|--------------------------|-----|
| - Width of the actuator | 115 |
| - Height of the actuator | 115 |
| - Length of the actuator | 60 |

Emergency exit dimensions

| | |
|--------------------------------|----|
| - Width of the emergency exit | 95 |
| - Height of the emergency exit | 95 |
| - Length of the emergency exit | 23 |

Included in delivery

The safety switch / solenoid interlock and the actuator unit must be ordered separately.

Keywords

Search keys Lockout tag; SZ 200

Ordering code

AZ/AZM 200-B30-(1)T(2)(3)(4)-(5)

(1)

L Door hinge on left-hand side
R Door hinge on right-hand side

(2)

A for Mounting outside
I for Mounting inside

(3)

G1 with handle
G2 with Rotating knob

(4)

P1 with Emergency exit
P20 with Emergency exit Metal film (*Only for Mounting outside possible*)
P25 with Emergency exit Inset handle (*Only for Mounting outside possible*)
P30/P31 with Locking rod (*Only for Mounting outside possible*)

(5)

without without Lockout tag
SZ with Lockout tag (*Only for Mounting outside possible*)

Documents

Operating instructions (nl) 1 MB, 24.09.2018

Code: mrl_az-azm201-b30_nl

Operating instructions (fr) 1 MB, 24.09.2018

Code: mrl_az-azm201-b30_fr

Operating instructions (it) 1 MB, 24.09.2018

Code: mrl_az-azm201-b30_it

Operatina instructions (en) 975 kB. 24.09.2018

Code: mrl_az-azm201-b30_en

Operating instructions (es) 982 kB, 24.09.2018

Code: mrl_az-azm201-b30_es

Operating instructions (jp) 1 MB, 24.09.2018

Code: mrl_az-azm201-b30_jp

Operating instructions (pt) 1 MB, 24.09.2018

Code: mrl_az-azm201-b30_pt

Operating instructions (cn) 1 MB, 23.11.2018

Code: mrl_az-azm201-b30_cn

Operating instructions (de) 983 kB, 27.09.2018

Code: mrl_az-azm201-b30_de

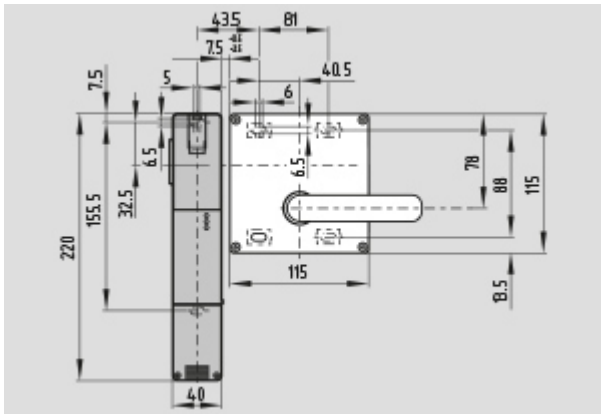
Operating instructions (pl) 1 MB, 24.09.2018

Code: mrl_az-azm201-b30_pl

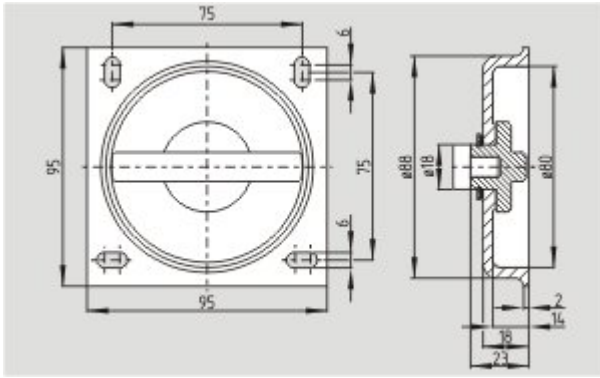
Images



Product photo



Dimensional drawing (basic component)



Dimensional drawing (miscellaneous)

System components

Product



AZ 200

- **NOTICE: Available until 2020.12.31 (substitute: AZ201)**
- Thermoplastic enclosure
- Spring pulley connection
- Max. length of the sensor chain 200 m
- Self-monitoring series-wiring of 31 sensors
- 3 LEDs to show operating conditions
- Sensor technology permits an offset between actuator and interlock of ± 5 mm vertically and ± 3 mm horizontally
- Intelligent diagnosis



AZM 200

- **NOTICE: Available until 2020.12.31 (substitute: AZM201)**
- Thermoplastic enclosure
- Guard locking monitored
- Electronic contact-free, coded system
- Max. length of the sensor chain 200 m
- Self-monitoring series-wiring of 31 sensors
- 3 LEDs to show operating conditions
- Sensor technology permits an offset between actuator and interlock of ± 5 mm vertically and ± 3 mm horizontally
- Intelligent diagnosis
- Manual release

K.A. Schmersal GmbH & Co. KG, Mödinghofe 30, D-42279 Wuppertal

The data and values have been checked thoroughly. Technical modifications and errors excepted.

Generiert am 13.02.2019 - 14:46:39h Kasbase 3.3.0.F.64I