

## Datasheet - BDF 200 ST1-AS-NHK-LMRD-LTWH-LTGN



AS interface safety at work / Safety switchgear / Control panels and Emergency-Stop button / BDF 200 AS  
(Preferred types)



(Minor differences between the printed image and the original product may exist!)

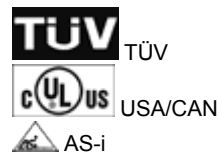
- Thermoplastic enclosure
- slender shock-proof enclosure
- to be fitted to commercial-off-the-shelf aluminium profiles
- to be installed at an ergonomic favourable position
- Integrated AS-Interface, Safety Slave for emergency stop and A/B Slave for command and signalling devices
- Suitable for AS-i Power24
- with connector plug M12 bottom
- Emergency stop latching pushbutton with protective collar
- Signalling device red for "emergency stop actuated"
- Illuminated pushbutton white for automatic stop
- Illuminated pushbutton green for reset/start
- Two-layer plastic identification labels can be used (engravements on request)

### Ordering details

Product type description	BDF200-ST1-AS-NHK-LMRD-LTWH-LTGN
Article number	101215277
EAN Code	
eCl@ss	27-37-12-02

### Approval

Approval



### Classification

Standards	EN ISO 13849-1, IEC 61508
PL	up e
Control category	up 4
PFH value	1.4 x 10 <sup>-8</sup> /h
- notice	up to max. 5.000 switching cycles/year
SIL	up 3
Mission time	20 Years

## Global Properties

---

Permanent light	BDF200AS (Vorzugstypen)
Standards	EN 60947-5-1, EN ISO 13850, EN ISO 13849-1, IEC 61508, EN 50295
Climatic stress	to DIN EN 60068
Material of the housings	Plastic, glass-fibre reinforced thermoplastic, self-extinguishing
Weight	280
Positions used	
- Position 01	Emergency stop latching pushbutton, with Protective collar
- Position 02	Illuminated signal, red
- Position 03	Illuminated pushbutton, White
- Position 04	Illuminated pushbutton, green
Response time	< 100


## Mechanical data

---

Design of electrical connection	connector plug M12, 4-pole, bottom
Mechanical life	
- Emergency-Stop button	100.000 operations
- Command devices	1.000.000 operations
restistance to shock	15 g / 11 ms
Resistance to vibration	10 ... 150 HZ, Amplitude 0,35 mm / 5 g
Indicator lamp (Y/N)	No

## Ambient conditions

---

Ambient temperature	
- Min. environmental temperature	-25
- Max. environmental temperature	+65
Storage and transport temperature	
- Min. Storage and transport temperature	-25
- Max. Storage and transport temperature	+85
Protection class	IP65
Protection rating	II, Double-insulated 
Overvoltage category	III
Degree of pollution	3

## Electrical data - AS interface

---

AS-i Supply voltage	18 ... 31.6 VDC, Protection against polarity reversal
- Min. supply voltage	18
- Max. supply voltage	31.6
AS-i operating current	≤ 150
- AS electronics	
- Total	
AS-i Device insulation	internally short-circuit proof
<b>AS-i Specification</b>	<b>Safety Slave</b>
- version	V 3.0
- Profile	S-7.B.F.F
AS-i Inputs	
- Channel 1	Data bits DI 0/DI 1= dynamic code transmission
- Channel 2	Data bits DI 2/DI 3= dynamic code transmission
AS-i Outputs	
- DO 0	Indicator lamp G24 red

- DO 1	Indicator lamp G24 green
- DO 2	not used
- DO 3	not used
AS-i Parameter bits	P0 ... P3 not used
<b>AS-i Specification</b>	<b>A/B slave</b>
- version	V 3.0
- Profile	S-7.A.7.F
AS-i Inputs	
- DI 0	Command device Position 4
- DI 1	Command device Position 3
- DI 2	Command device Position 2
- DI 3	Command device Position 2
AS-i Outputs	
- DO 0	Illuminated signal Position 4
- DO 1	Illuminated signal Position 3
- DO 2	Illuminated signal Position 2
- DO 3	not used
AS-i Parameter bits	P0 ... P3 not used
AS-i input module address	0
- Default on address 0, programmable via the AS-Interface Master or Hand-held programming device	
notice	Both AS-i slaves can be enabled and disabled through the integrated DIP switch. Addressing must take place via the M12 connector.

## LED switching conditions display

---

LED switching conditions display (Y/N)	No
--	----

## Dimensions

---

Dimensions	
- Width	40 mm
- Height	69 mm
- Depth	233.5 mm

## Pin assignment

---

1	AS interface +
2	None
3	AS interface -
4	None

## Ordering code

---

BDF 200-(1)-AS-(2)-(3)-(4)-(5)-(6)

(1)

**ST1** connector plug M12, bottom

**ST2** connector plug M12, above

(2)

**NH** Emergency stop latching pushbutton without Protective collar

**NHK** Emergency stop latching pushbutton with Protective collar

(3)

**WS 2/3** Selector switch, 2/3 switch position

**WT 2/3** Selector switch, 2/3 switch position

### Position 1 - Command devices

### Position 2 - Command and signalling devices

<b>SW 20</b>	Key switch / - key button, 2 switch position
<b>LT..</b>	Illuminated pushbutton (Selection Color)
<b>LM..</b>	Illuminated signal (Selection Color)
<b>DT..</b>	Push button (Selection Color)
<b>(4)</b>	<b>Position 3 - Command and signalling devices</b>
<b>LT..</b>	Illuminated pushbutton (Selection Color)
<b>LM..</b>	Illuminated signal (Selection Color)
<b>DT..</b>	Push button (Selection Color)
<b>(5)</b>	<b>Position 4 - Command and signalling devices</b>
<b>LT..</b>	Illuminated pushbutton (Selection Color)
<b>LM..</b>	Illuminated signal (Selection Color)
<b>DT..</b>	Push button (Selection Color)
<b>(6)</b>	
<i>without</i>	without Indicator lamp G24
<b>G24</b>	with Indicator lamp G24

## Documents

---

**Operating instructions and Declaration of conformity (nl)** 822 kB, 29.11.2018

Code: mrl\_bdf200as\_nl

**Operating instructions and Declaration of conformity (fr)** 831 kB, 29.11.2018

Code: mrl\_bdf200as\_fr

**Operating instructions and Declaration of conformity (it)** 813 kB, 26.06.2017

Code: mrl\_bdf200as\_it

**Operating instructions and Declaration of conformity (en)** 824 kB, 05.11.2018

Code: mrl\_bdf200as\_en

**Operating instructions and Declaration of conformity (de)** 792 kB, 05.11.2018

Code: mrl\_bdf200as\_de

**Operating instructions and Declaration of conformity (jp)** 853 kB, 15.09.2014

Code: mrl\_bdf200as\_jp

**Operating instructions and Declaration of conformity (pl)** 829 kB, 17.03.2017

Code: mrl\_bdf200as\_pl

**Operating instructions and Declaration of conformity (pt)** 828 kB, 05.12.2018

Code: mrl\_bdf200as\_pt

**Operating instructions and Declaration of conformity (es)** 833 kB, 29.11.2018

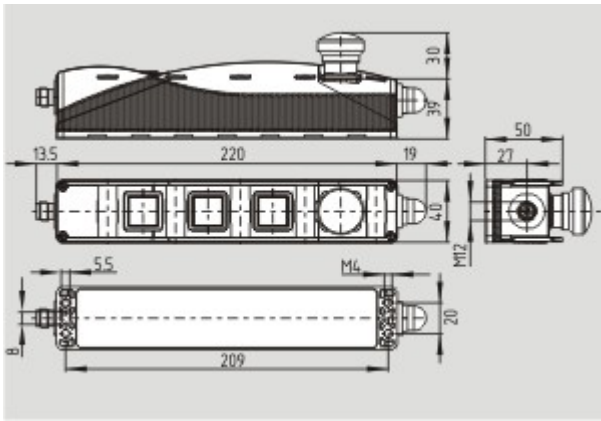
Code: mrl\_bdf200as\_es

**TÜV certification (de)** 401 kB, 20.01.2017

Code: z\_bdfp01

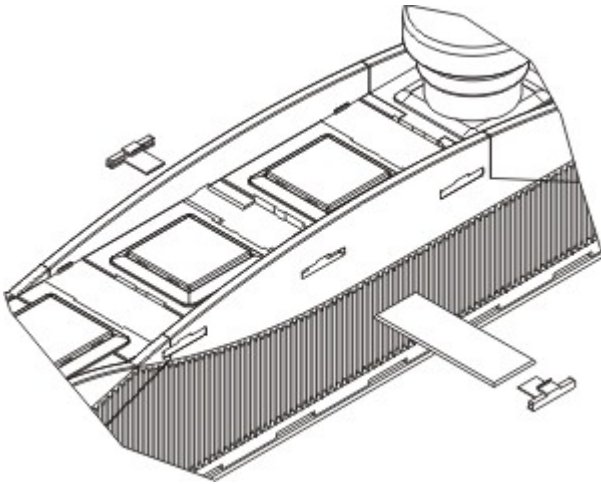
## Images

---



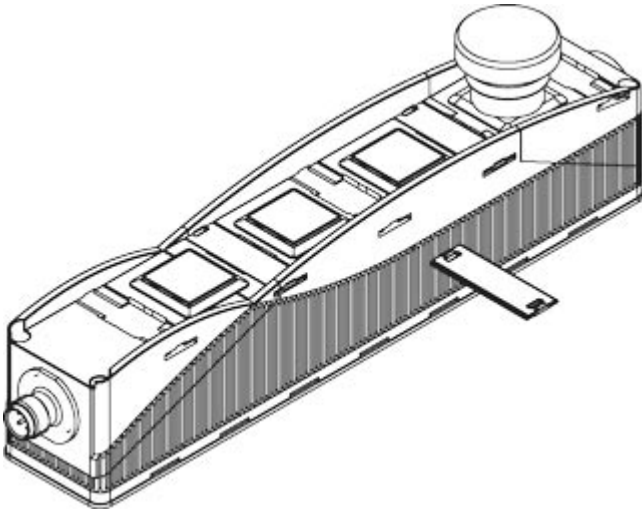
Dimensional drawing (basic component)

---



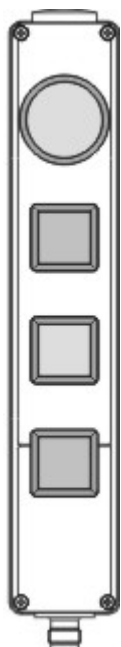
Application

---



Application

---



Clipart

---

K.A. Schmersal GmbH & Co. KG, Mödinghofe 30, D-42279 Wuppertal

The data and values have been checked thoroughly. Technical modifications and errors excepted.

Generiert am 13.02.2019 - 12:38:57h Kasbase 3.3.0.F.64I