

Datasheet - M. 441-11Y-14

Slack-wire switch / 441 Slack-wire switch



- Metal enclosure
- 2 Contacts
- 106 mm x 181 mm x 63 mm
- Suitable for heavy duty
- 2 cable entries

(Minor differences between the printed image and the original product may exist!)

Ordering details

Product type description	M. 441-11Y-14
Article number	101058315
EAN Code	4030661031941
eCl@ss	27-27-06-01

Approval

Approval



Global Properties

Permanent light	441 Schlaffseilschalter
Standards	EN 60947-5-1
Compliance with the Directives (Y/N) 	Yes
Suitable for safety functions (Y/N)	No
Standard housing (Y/N)	No
Materials	
- Material of the housings	cast iron, galvanized
- Material of the contacts	Silver
Housing coating	painted
Weight	1840

Mechanical data

Design of electrical connection	Screw connection
Cable section	
- Min. Cable section	1.5
- Max. Cable section	2.5
AWG-Number	13
Active principle	mechanical
Mechanical life	10.000.000 operations
Switching frequency	max. 3000 /h
notice	All indications about the cable section are including the conductor ferrules.
Bounce duration	≤ 5
Switchover time	≤ 35
Contact opening	2 x 2.5

Ambient conditions

Ambient temperature	
- Min. environmental temperature	-30
- Max. environmental temperature	+90
Protection class	IP65 to IEC/EN 60529

Electrical data

Design of control element	Normally open contact (NO), Opener (NC)
Switching principle	Snap switch element
Number of shutters	1
Number of openers	1
Rated impulse withstand voltage U_{imp}	4 kV
Rated insulation voltage U_i	250 V
Thermal test current I_{the}	16 A
Utilisation category	AC-15: 230 V / 4 A
Max. fuse rating	16 A gG D-fuse






Dimensions

Dimensions of the sensor	
- Width of sensor	106
- Height of sensor	181
- Length of sensor	63

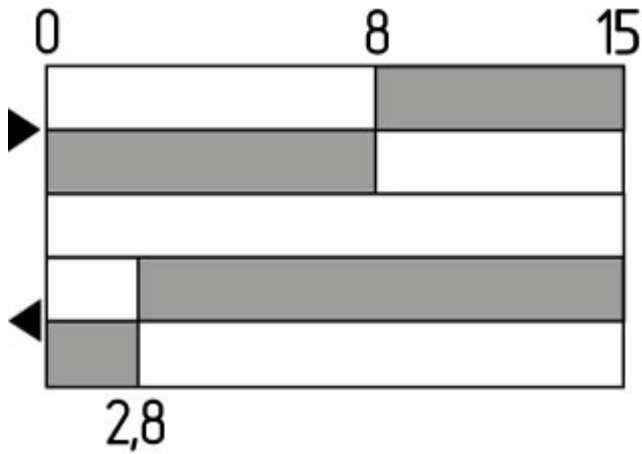
Diagram



Note Diagram

-  positive break NC contact
-  active
-  no active
-  Normally-open contact
-  Normally-closed contact

Switch travel diagram



Notes Switch travel diagram

■ Contact closed

□ Contact open

▨ Setting range

Ⓛ Break point

Ⓟ Positive opening sequence/- angle

VS adjustable range of NO contact

VÖ adjustable range of NC contact

N after travel

Ordering suffix

The applicable ordering suffix is added at the end of the part number of the safety switch.

Order example: M. 441-11Y-14-T

...-T

Temperature-resistant and tropical version with ceramic insulation for
-40°C ... +200°C

Rated insulation voltage U_i : 500 V (Snap action)

...-K

Tropical version with ceramic insulation

Rated insulation voltage U_i : 500 V (Snap action)

...- 1276-2

gold-plated contacts

Documents

Declaration of conformity (de) 94 kB, 08.08.2016

Code: __422p01

Declaration of conformity (pl) 129 kB, 08.08.2016

Code: __422p01_pl

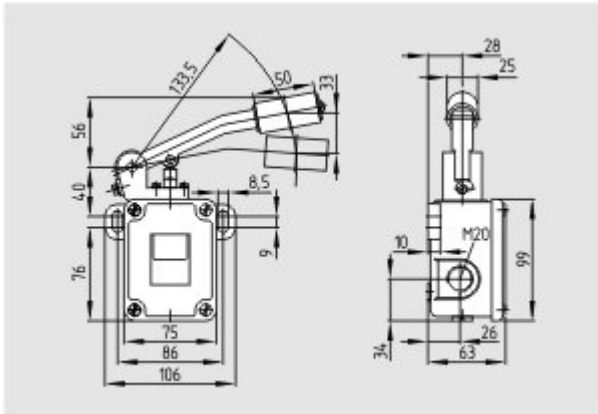
Declaration of conformity (en) 84 kB, 29.11.2018

Code: __422p01_en

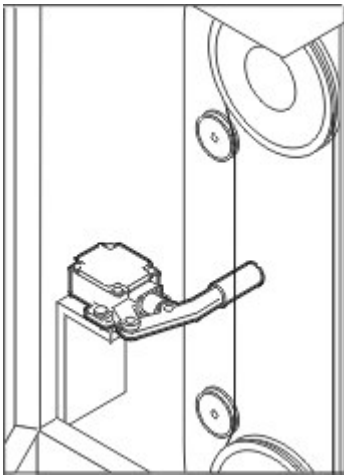
CCC certification (cn) 3 MB, 09.04.2018

Code: q_352p03

Images



Dimensional drawing (basic component)



Application
