

Datasheet - BN 12-10Z/1

Magnetic reed switch / BN 12

 Preferred typ

- Actuation from side
- Non-contact principle
- without bias magnet
- Long life
- Metal enclosure
- Actuating distance up to 60 mm depending on actuating magnet and version
- Design Ø 10.7 mm
- with central mounting
- With pre-wired cable

(Minor differences between the printed image and the original product may exist!)


Ordering details

Product type description	BN 12-10Z/1
Article number	BN 12-10Z/1
EAN Code	
eCl@ss	27-27-01-04

Approval

Approval	-
----------	---

Global Properties

Permanent light	BN 12
Standards	-
Compliance with the Directives (Y/N) 	Yes
suitable for elevators (Y/N)	No
Mounting	central with threaded flange M12 x 1
Active principle	Magnetic drive
Materials	
- Material of the housings	Metal film
- Material of the cable mantle	LiYY
Housing construction form	cylinder, thread
Weight	

Recommended actuator

BP 10, 2 x BP 10, BP 15, 2 x BP 15, 2 x BP 15/2, BP 34, BP 20, BP 31,
BP 11, BP 12, BP 21

Mechanical data

Design of electrical connection	Cable
Cable length	1
Conductors	2 x 0,25
AWG-Number	23
Mechanical life	10.000.000 operations
Electrical lifetime	1.000.000 ... 10.000.000 operations
Actuating planes	Actuation from side
Active area	lateral
Switch distance	5 ... 50 BP 10 = 5 mm 2 x BP 10 = 17 mm BP 15 = 6 mm 2 x BP 15 = 17 mm 2 x BP 15/2 = 17 mm BP 34 = 15 ... 20 mm BP 20 = 20 mm BP 31 = 20 mm BP 11 = 20 mm BP 12 = 10 ... 30 mm BP 21 = 25 ... 50 mm
- notice	Actuating distance up to 50 mm depending on actuating magnet and version
Type of actuation	Magnet
restistance to shock	30 / 11
Resistance to vibration	10 ... 55 HZ, Amplitude 1 mm
Latching (Y/N)	No
bias magnet (Y/N)	No
Tightening torque for nuts	90
Switching point accuracy	± 0,25 mm

Ambient conditions

Ambient temperature	
- Min. environmental temperature	-25
- Max. environmental temperature	+70
Protection class	IP67

Electrical data

Design of control element	Opener (NC)
Number of shutters	1
Number of openers	0
Voltage type	
Switch frequency	
Dielectric strength	580
Switching voltage	200
Switching current	1 A
Switching capacity	30 /

Outputs

Design of control output	Reed kontakts
--------------------------	---------------

LED switching conditions display

LED switching conditions display (Y/N) No

ATEX

Explosion protection categories for gases None
Explosion protected category for dusts None

Dimensions

Dimensions of the sensor
- Length of sensor 71
- Diameter of sensor 10.7

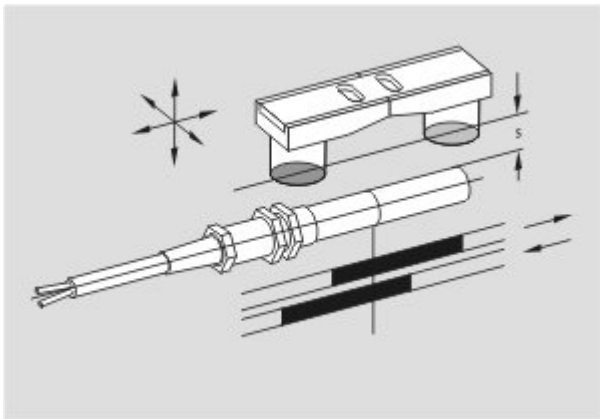
notice

The opening and closing functions depend on the direction of actuation, the actuating magnets and the polarity of the actuating magnets.
When the switches and actuators come together, the colours must coincide: Red (S) to red (S) and green (N) to green (N). This does not apply to the bistable contact.
The switch is to be mounted on iron with a non-magnetic layer of at least 20 mm.




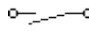
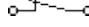
Included in delivery

Actuators must be ordered separately.

Diagram



Note Diagram

-  positive break NC contact
-  active
-  no active
-  Normally-open contact
-  Normally-closed contact

Documents

Mounting and wiring instructions (de, en, fr) 104 kB, 03.08.2006

Code: m_bn1p01

notice - Switch distance (it) 27 kB, 12.04.2013

Code: s_bn_p01_it

notice - Switch distance (fr) 29 kB, 12.04.2013

Code: s_bn_p01_fr

notice - Switch distance (en) 27 kB, 12.04.2013

Code: s_bn_p01_en

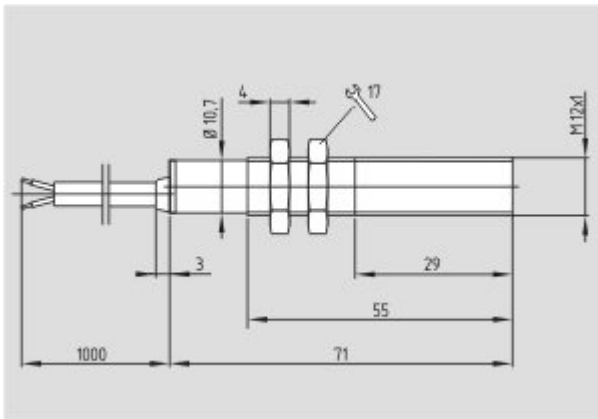
notice - Switch distance (de) 28 kB, 12.04.2013

Code: s_bn_p01_de

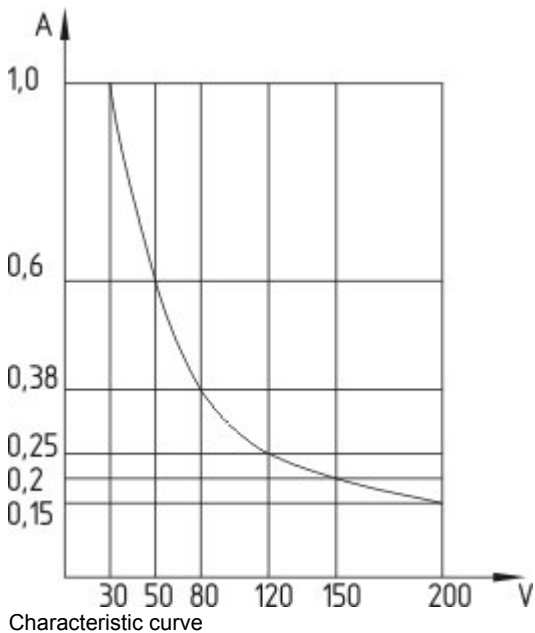
notice - Switch distance (es) 28 kB, 12.04.2013

Code: s_bn_p01_es

Images

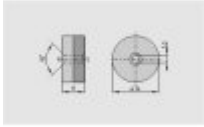


Dimensional drawing (basic component)



System components

Actuator



- thermoplastic enclosure
- S-pole marked red
- N-pole marked green
- Suitable for mounting on ferrous material with a distance of 25 mm



101060163 - BP 15

- thermoplastic enclosure
- N-pole marked green
- S-pole marked red
- Suitable for mounting on ferrous material with a distance of 18 mm



101060165 - BP 15/2

- Unenclosed
- Polarity stamped in
- Suitable for mounting on ferrous material with a distance of 18 mm



101057531 - BP 10

- Unenclosed
- Colour coding of poles by labels

K.A. Schmersal GmbH & Co. KG, Mödinghofe 30, D-42279 Wuppertal

The data and values have been checked thoroughly. Technical modifications and errors excepted.

Generiert am 13.02.2019 - 13:10:41h Kasbase 3.3.0.F.64I