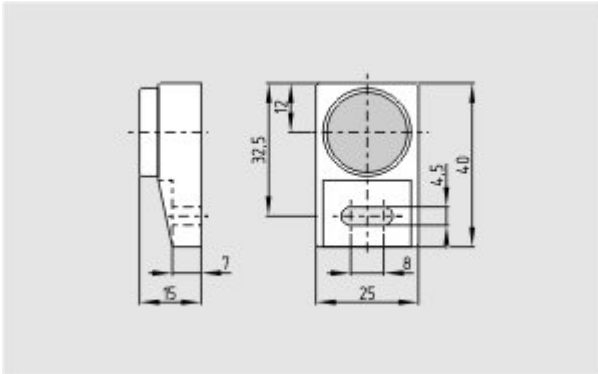


## Datasheet - BP 11 N

Magnetic reed switch / Actuator



Preferred typ



- -metal housing
- N-pole marked green
- Suitable for mounting on ferrous material

(Minor differences between the printed image and the original product may exist!)

### Ordering details

Product type description	BP 11 N
Article number	101059923
EAN Code	4030661038063
eCl@ss	27-27-92-17

### Global Properties

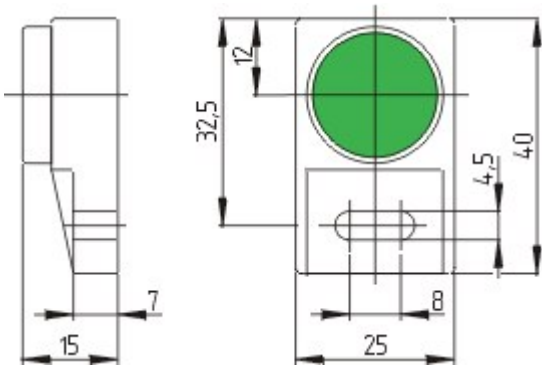
Permanent light	Magnet
Weight	40
Special characteristics	-metal housing

### Dimensions

Dimensions of the actuators	
- Width of the actuator	25
- Height of the actuator	40
- Length of the actuator	15

### Images





Dimensional drawing (miscellaneous)

---

K.A. Schmersal GmbH & Co. KG, Möddinghofe 30, D-42279 Wuppertal

The data and values have been checked thoroughly. Technical modifications and errors excepted.

Generiert am 13.02.2019 - 13:10:18h Kasbase 3.3.0.F.64l